



Precision in the Extreme

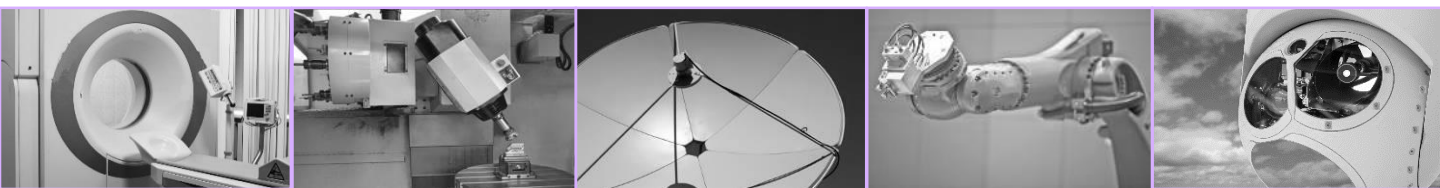


# IncOder™ Product Guide

## 58mm Shaft

### Inductive Angle Encoders

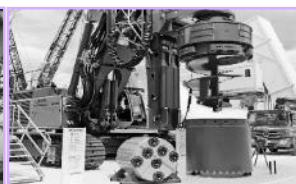
58mm Shaft Revision 4.11.4 January 2018



- No contacts
- No maintenance
- Absolute
- Compact
- Easy installation
- Accurate
- Robust
- Integral electronics
- >200 Million product options
- Economical
- Global support
- .....they tick all the boxes.



<b>1.</b>	<b>Introduction</b>	<b>4</b>
<b>2.</b>	<b>Product Options</b>	<b>5</b>
<b>3.</b>	<b>Manufacturing &amp; Quality</b>	<b>6</b>
<b>4.</b>	<b>Technical Data</b>	<b>7</b>
4.1	58mm Packaged Servo Clamp - Product Option INC-20	7
4.2	58mm Packaged Screw Flange - Product Option INC-21	8
4.3	Hub Shaft Dimensions	9
4.4	Mechanical Installation	9
4.5	Integral Axial Cable - Product Options AFL1-52 & VFL1-52	10
4.6	Extended Product Range	12
4.7	Measurement & Electrical Data	14
4.8	Environmental & Further Data	15
<b>5.</b>	<b>Customised Products</b>	<b>16</b>
<b>6.</b>	<b>Communication Interfaces</b>	<b>17</b>
6.1	Output Resolution	17
6.2	Multi-Turn or Single Turn	17
6.3	Zero Point, Zero Set & Zero Reset for Digital Outputs	17
6.4	Synchronous Serial Interface - Product Options SSI1-SSI9	18
6.5	Asynchronous Serial Interface - Product Options ASI1-2	21
6.6	Serial Peripheral Interface - Product Option SPI1	22
6.7	A/B/Z Pulse Interface – Product Options ABZ1 to ABZ6	24
6.8	BiSS-C Interface – Product Option BIS1	25
<b>7.</b>	<b>Connector Diagrams</b>	<b>26</b>
<b>8.</b>	<b>Product Ordering</b>	<b>27</b>
8.1	Product Ordering	27
8.2	Product Ordering - General	28
8.3	Product Ordering - Extended Range	28
<b>9.</b>	<b>Accessories</b>	<b>29</b>
<b>10.</b>	<b>Frequently Asked Questions</b>	<b>32</b>
<b>11.</b>	<b>Contact</b>	<b>35</b>





Zettlex IncOders are non-contact devices for precise angle measurement. They use an inductive technique, similar to that used by electrical transformers. IncOders may be considered as an inductive encoder.

IncOders are well suited to harsh environments - where potentiometers, optical or capacitive devices might be unreliable.

IncOder technology is proven technology – tried and tested in tough conditions on land, sea and in the air. IncOders require no service or maintenance and so they are ‘fit and forget’ devices.

**They are designed and built so they won't let you down when the going gets tough.**

IncOders make it easy to achieve high precision, high reliability angle measurement. There is no need for design engineers to consider additional seals, lubrication or wearing parts.

Whereas optical or capacitive sensors can be unreliable in harsh conditions – notably with condensation or dust - IncOders are generally unaffected by foreign matter and IP68 rated versions are available. Unlike capacitive devices, there is no need to earth the housing or shaft. Robust, aluminium alloy housings with corrosion protected finish, a stainless steel shaft and high quality materials are used throughout.

IncOders contain all the electronics to receive power and output a signal. The output signal shows the position of the shaft relative to the IncOder's housing. Devices with absolute digital outputs, such as SSI, SPI etc., are truly absolute which means they need no motion at power up to determine position. Alternatively, there is the option of A/B pulse output for incremental measurement.

IncOders have a solid track record in demanding applications such as industrial machinery, security and defence equipment, naval and marine equipment. IncOders are designed and built in ISO-9001 accredited facilities in the United Kingdom; contain no ITAR restricted components and typically do not require an export licence.



The IncOder range offers millions of product options. **Specify the right product for your application using the IncOder Product Option / Part Number (see Section 8).** The range of options are:-

**Mechanical Format** : mechanical formats include packaged servo clamp and packaged screw flange – see Section 4.

**IncOder Size** : stated as outer diameter and shaft type – see Section 4.

**Resolution Options** : up to 17bits - see Section 6.1.

**Communication Interface Options:**

Synchronous Serial Interface – see Section 6.4 for various formats (Product Options SSI1-9)

Asynchronous Serial Interface – see Section 6.5 (Product Option ASI1 & ASI2)

Serial Peripheral Interface – see Section 6.6 (Product Option SPI1)

A/B/Z pulses – see Section 6.7 (Product Option ABZ1-6)

BiSS-C – see Section 6.8 (Product Options BIS1)

**Connection Options** : radial and axial connections as well as integral cables – see Section 4.

**Extended Range Options** : these options are only intended for ultra high-reliability applications which may require extended thermal stress screening, bake-out, high shock/vibration constructions, leaded solder, low or high operating temperatures – see Section 4.6.



IncOders are designed, made, tested and shipped by Zettlex's facility in Cambridge, UK. Support is provided by the same site or through our global network of partners.



IncOder manufacturing processes are well established, having been perfected over years and the production of thousands of products. Every IncOder is serial numbered and tested according to a rigorous acceptance test procedure before dispatch. Detailed test records for every IncOder are stored by Zettlex.



Certificates of conformity are available as well as a RoHS compliance certificate and a REACH statement. IncOders are not ITAR restricted and use no ITAR components. A UK government export license is typically not required for the devices specified in this Product Guide.

All design, manufacturing and commercial processes operate under a comprehensive ISO-9001:2008 quality management system, developed by Zettlex engineers. The quality management system is subject to regular internal and external audit – including an annual audit by a UKAS accredited, independent authority. Zettlex is also certified for the design and manufacture of intrinsically safe (ATEX) sensors under BS EN 13980. Electronics manufacturing is to IPC Class III standards.

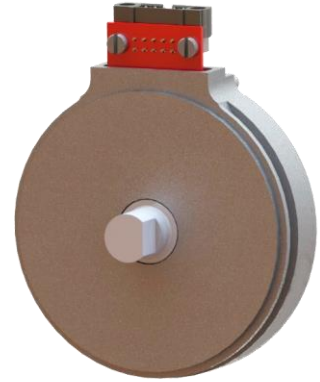
A copy of our ISO-9001 and ATEX certificate is available on [www.zettlex.com](http://www.zettlex.com).



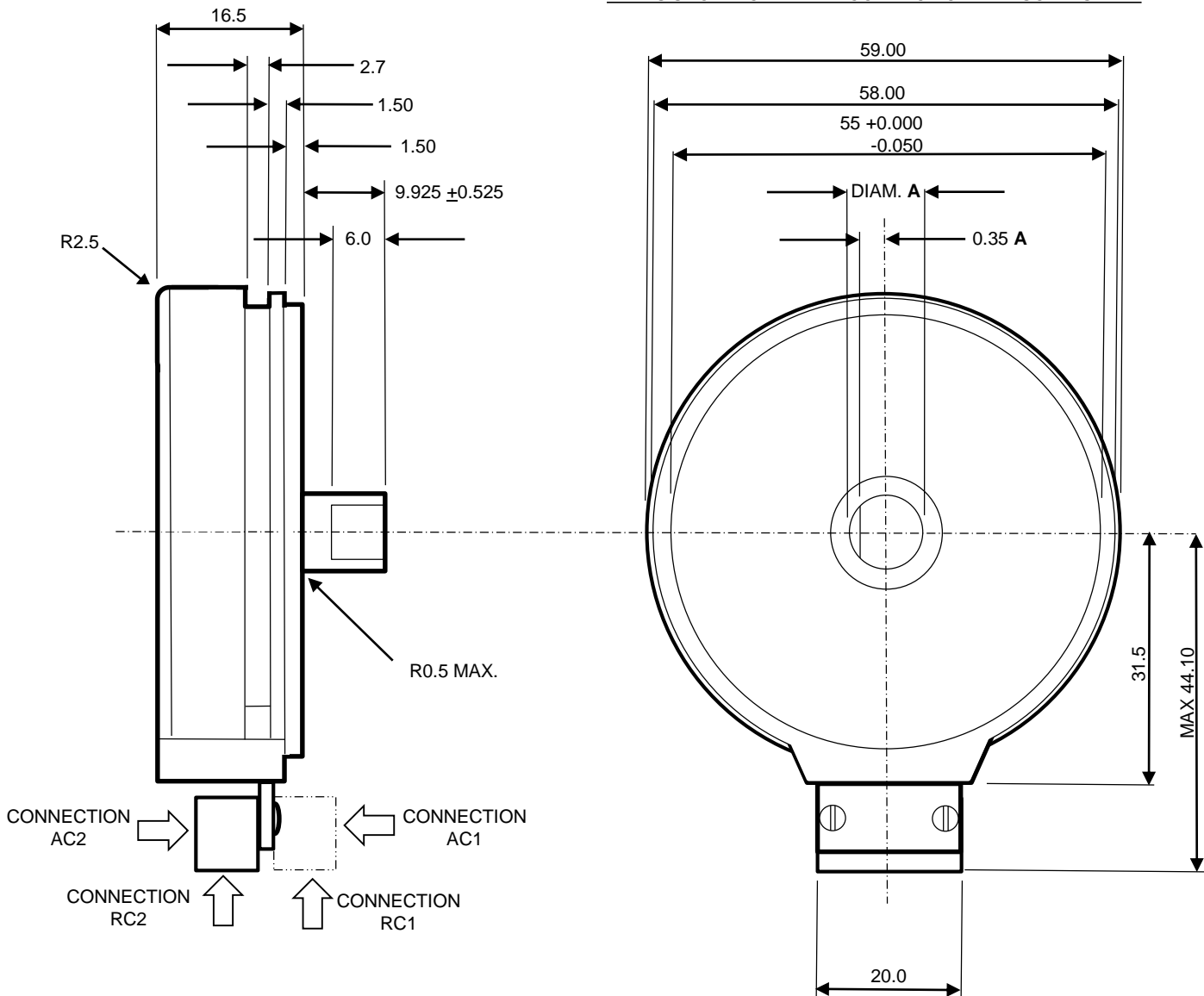
# 4.1 58mm Packaged Servo Clamp Product Option INC-20

**NOTES**

1. **3D CAD IGES FILES AVAILABLE ON WWW.ZETTLEX.COM**
2. ALL DIMS IN mm – DO NOT SCALE
3. 3<sup>RD</sup> ANGLE PROJECTION
4. AL. ALLOY HOUSINGS SURTEC650 SURFACE PROTECTION 0.11-0.50g/m<sup>2</sup>
5. UNLESS STATED, TOLERANCES:-  
 0 DECIMAL PLACES = ±0.5  
 1 DECIMAL PLACES = ±0.2  
 2 DECIMAL PLACES = ±0.1



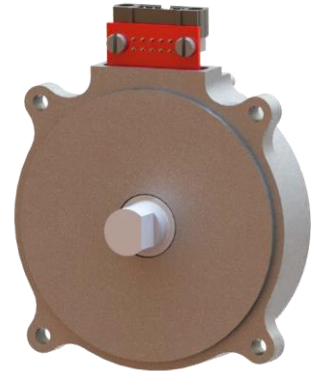
VIEWS SHOW RC2 RADIAL CONNECTION AND SOLID SHAFT



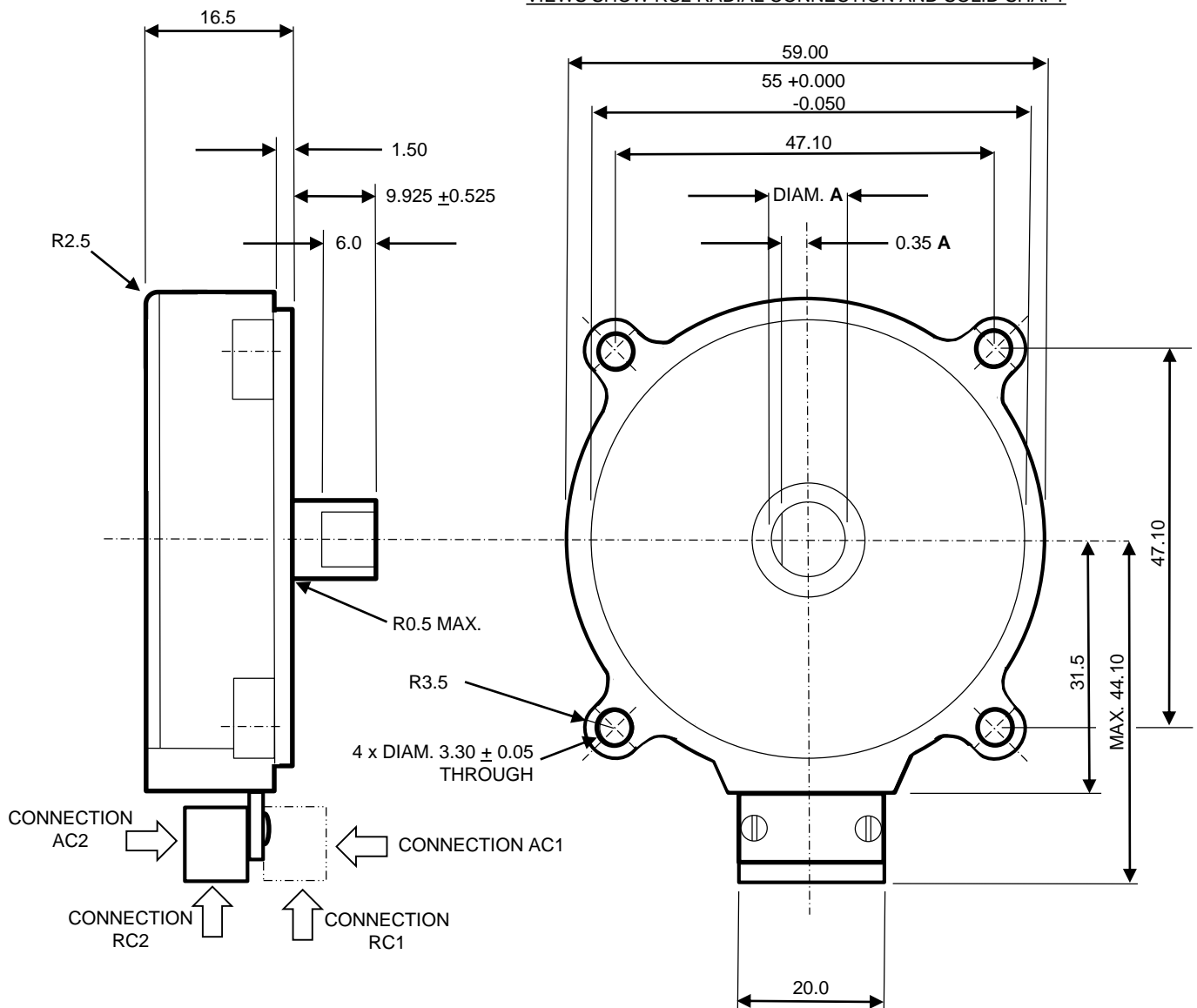
**OPTIONS FOR DIM A = 3.00, 3.175, 6.00, 6.35, 9.525 & 10.00 ALL WITH h7 TOLERANCE.**

**NOTES**

1. **3D CAD IGES FILES AVAILABLE ON WWW.ZETTLIX.COM**
2. ALL DIMS IN mm – DO NOT SCALE
3. 3<sup>RD</sup> ANGLE PROJECTION
4. AL. ALLOY HOUSINGS SURTEC650 SURFACE PROTECTION 0.11-0.50g/m<sup>2</sup>
5. UNLESS STATED, TOLERANCES:-  
 0 DECIMAL PLACES = ±0.5  
 1 DECIMAL PLACES = ±0.2  
 2 DECIMAL PLACES = ±0.1



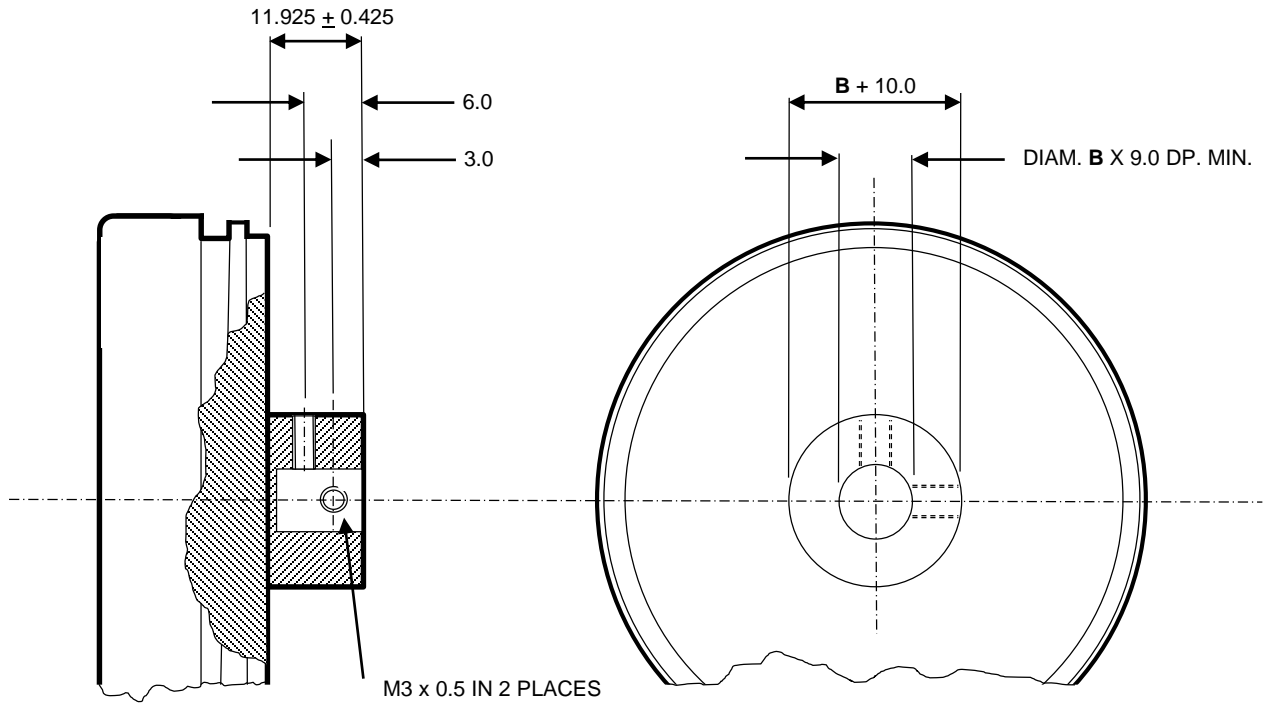
VIEWS SHOW RC2 RADIAL CONNECTION AND SOLID SHAFT



OPTIONS FOR DIM A = 3.00, 3.175, 6.00, 6.35, 9.525 & 10.00 ALL WITH h7 TOLERANCE.



## 4.3 Hub Shaft Dimensions

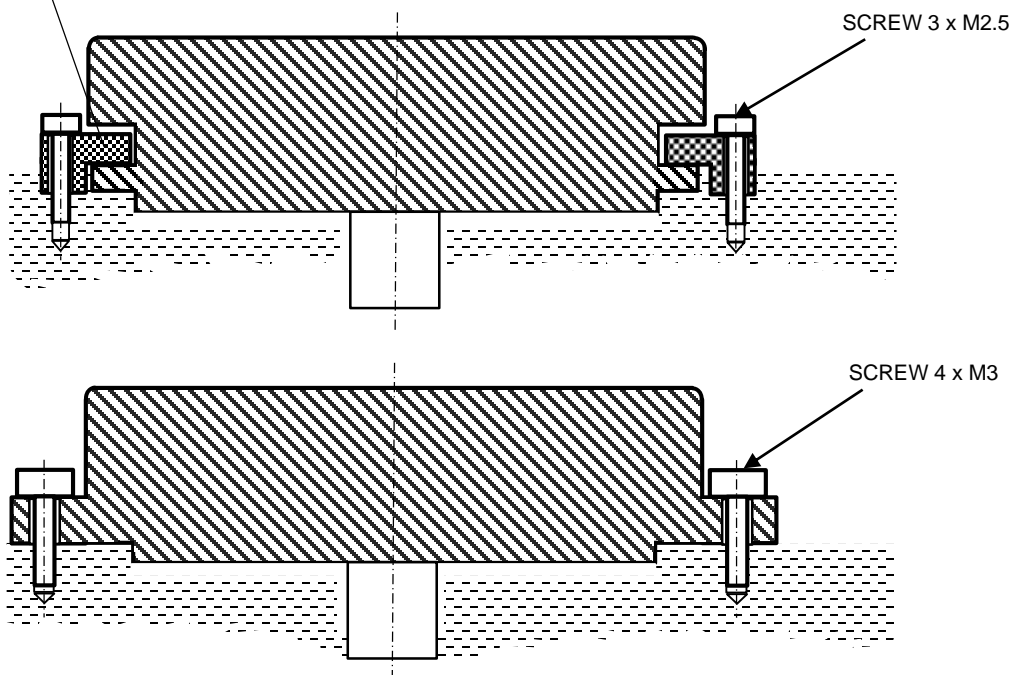


OPTIONS FOR DIM B = 3.00, 3.175, 6.00 & 6.35 ALL WITH H7 TOLERANCE.

## 4.4 Mechanical Installation

58mm Shaft IncOders can be installed in various ways. The following sketches show some examples.

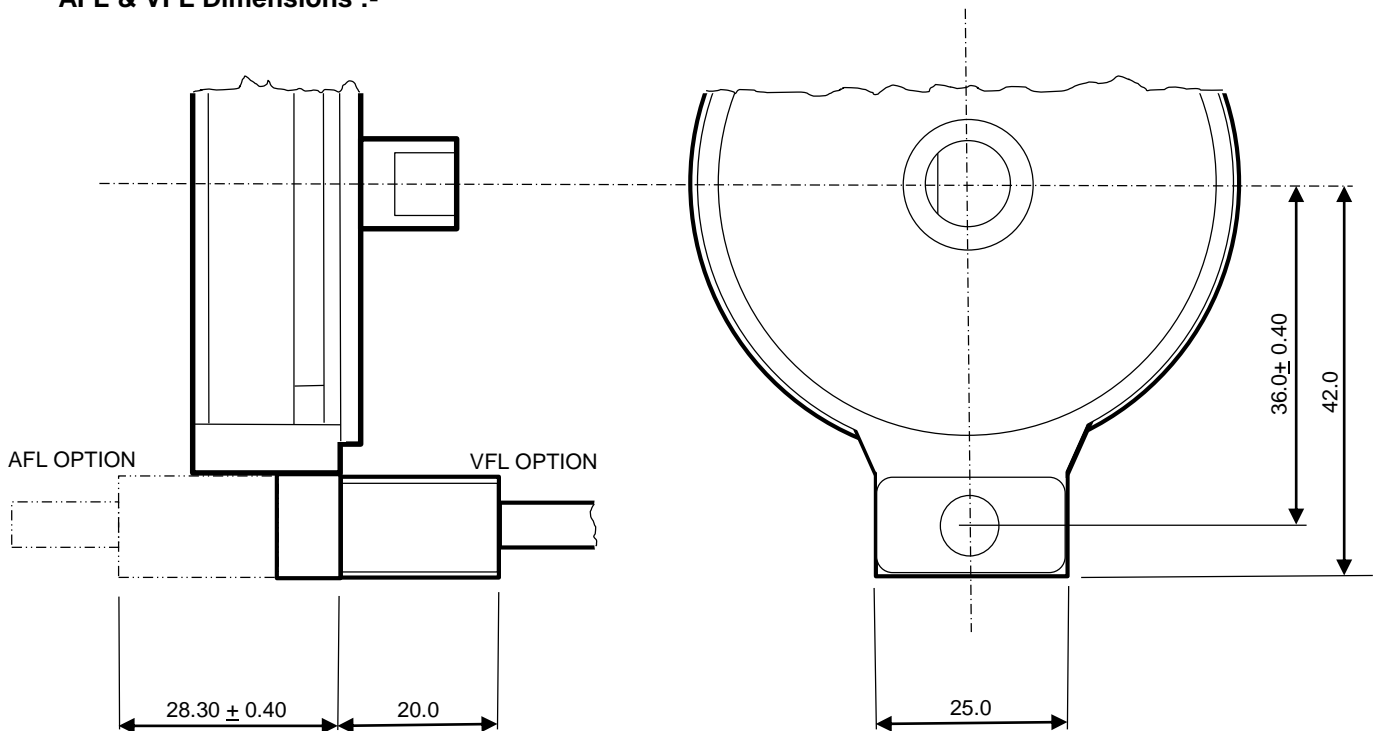
OPTIONAL SERVO CLAMPS x3  
- SEE ACCESSORIES SECTION 9.3



Integral Axial Cables are for wet and/or severe shock/vibration environments for all sizes. The connector is replaced by an integral cable and a block which covers the cable to IncOder joint.

- **AFL1 or VFL1 Integral Axial Cable.** IP67 for 1 hour & 1m depth. 2m long cable, 10-way, 24 AWG multi-strand copper wire, semi-rigid PVC insulation & outer jacket, twisted pairs, overall foil shield, tinned copper drain wire. Diam. 7.3mm. Min. flexing rad. = 76mm with 1-off bend rad. (e.g. on installation) of 20mm. Operating temp.: -30 to 85°C.
- **AFL2 or VFL2 Integral Axial Cable, Sealed.** IP68 to 100m depth. Cable as per AFL1.
- **AFL3 or VFL3 Integral Axial, High Flex Cable.** IP67 for 1 hour & 1m depth and suitable for repeat bending (>5M cycles). IGUS CF11.02.05.02 cable, 2m long, TPE outer jacket, shielded, twisted pairs, 24AWG multi-strand, copper wire, PVC & halogen free. Hydrolysis, oil, UV & microbe resistant. Diam. 9.0mm. Min. radius 45mm (fixed) & 61mm (flexing). Operating temp.: -35 to +85°C (flexing) or -40 to +85°C (fixed). Operating temps. limited by IncOder, not cable.
- **AFL32 or VFL32 Integral Axial, Hi-Flex Cable, Sealed.** IP68 to 100m. Cable as AFL3.
- **AFL5 or VFL5 Integral Axial, PTFE/MIL-Spec Cable.** IP67 for 1 hour & 1m depth. 1.1m cable with individual Brand-Rex SPC00443A00x PTFE coated 24AWG multi-strand, copper wire, twisted pairs, to BS 3G 210, in overall Raychem RAY101-3.0 braided screen. Pro-Power STFE4-6.4-1.2MNAT PTFE outer sleeve. This non-flammable cable is resistant to oils, lubricants, fuels and is flexible. Min. flex rad.= 76mm with 1 off bend rad. (e.g. on installation) of 8mm. Op. temp.= -60 to +105°C (limited by IncOder, not cable).
- **AFL52 Integral Axial, PTFE/MIL-Spec Cable, Sealed.** IP68 to 100m. Cable as per AFL5.

### AFL & VFL Dimensions :-



### Notes

- Drawing shown in 3rd angle projection. Do not scale from drawing
- All dims in mm. Gen. tol. =  $\pm 1$ mm unless stated - all other dims as per relevant mechanical drawings.

**Table A - Connections for AFL1, VFL1, AFL2, VFL2, AFL5, VFL5, AFL52, VFL52**

Pair No.	Colour	Connector Pin (For Info. Only)	Signal (SSI1-9 & SPI & BISS-C)	Signal (ASI1 & ASI2)	Signal (A/B pulses & Z Ref.)
1	Black	7	Data B	Data B	A complement
1	Green	5	Data A	Data A	A
2	Black	6	Clk B	Not used - do not connect	B complement
2	Blue	8	Clk A	Not used - do not connect	B
3	Black	9	0V	0V	0V
3	Red	10	V <sub>supply</sub>	V <sub>supply</sub>	V <sub>supply</sub>
4	Black	1	Zero Set	Zero Set	Z Ref Set
4	Yellow	2	Zero Reset	Zero Reset	Z Ref. Reset
5	Black	3	Not used - do not connect	Not used - do not connect	Z
5	White	4	Not used - do not connect	Not used - do not connect	Z complement

**Table B - Wiring connections for AFL3, AFL32, VFL3 & VFL32**

Pair No.	Colour	Connector Pin (For Info. Only)	Signal (SSI1-9 & SPI & BISS-C)	Signal (ASI1 & ASI2)	Signal (A/B pulses & Z Ref.)
1	Grey	7	Data B	Data B	A complement
1	Pink	5	Data A	Data A	A
2	Yellow	6	Clk B	Not used - do not connect	B complement
2	Green	8	Clk A	Not used - do not connect	B
3	Blue	9	0V	0V	0V
3	Red	10	V <sub>supply</sub>	V <sub>supply</sub>	V <sub>supply</sub>
4	Violet	1	Zero Set	Zero Set	Z Ref Set
4	Black	2	Zero Reset	Zero Reset	Z Ref. Reset
5	Brown	3	Not used - do not connect	Not used - do not connect	Z
5	White	4	Not used - do not connect	Not used - do not connect	Z complement

### Cable Lengths for AFL & VFL Product Options

If a non-standard cable length is required, simply change the part number from, for example, AFL1 to AFL1.5.0 for a 5.0m cable or from AFL32 to a AFL32.0.9 for a 0.9m cable. For shorter cables there is no price difference. There may be a price variation for integral cables longer than standard – contact Zettlex or your local rep. General tolerance on cable lengths is  $\pm 50$ mm.

### Connectors for AFL & VFL Product Options

Fitting special connectors such as D-38999 military type or hermetically sealed connectors is something that Zettlex is frequently asked to do. Please contact Zettlex or your local representative if this is a requirement, stating cable type (see Section 4.5), cable length & connector type.



## 4.6 Extended Product Range

Extended Product Range Options are not necessary for most applications. In some, such as ultra high-spec applications in defence, aerospace and extreme duty industrial applications, Extended Product Options may be required. Extended Product Options increase product costs & lead-times and should only be specified if necessary.

### **Electronics with Leaded Solder – Extended Product Option ‘P’**

Standard IncOders use RoHS compliant solder for electronic components. In some applications, the use of leaded solder is mandatory. Specify ‘P’ at the end of the standard Product Number.

### **Extended Thermal Stress Screen/Bake-Off – Extended Product Option ‘B’**

Standard IncOders undergo a rigorous final test after assembly. In some applications, extended thermal stress screening (or ‘burn-in’) is required. Similarly, some applications require eradication of any volatile organic compounds. An extended thermal stress screen / bake-out for 24 hours at 70°C prior to final testing may be specified. Specify ‘B’ at the end of the standard Product Number.

### **Very High Shock & Vibration – Extended Product Option ‘G’**

Standard IncOders are designed for high shock & vibration environments, often found in airborne, marine & military vehicles. In applications with prolonged, very high shock (to 500g for 11ms) and/or very high vibration environments (to 100g for 10-2000Hz) the Very High Shock & Vibration Product Option should be specified. Example applications include (direct mounted) weapons systems, wing mounted aerospace equipment and earth moving vehicles. This option is available in all IncOder sizes, formats and electrical interfaces but, preferably, should be used with integral cables (type AFL1, 2, 3 or 5). ‘G’ format IncOders have a reinforced internal structure. External mechanical & electrical interfaces are unchanged. Local strain relief of cables must be used in all applications with shock or vibration. Specify ‘G’ at the end of the standard Product Number.

### **Engraved Data – Extended Product Option ‘E’**

Standard IncOders carry a serial number on a self-adhesive, metalized label. In some applications, a label is not acceptable and product data must be engraved. Engraved data includes part number & serial number on exterior faces of housing. Specify ‘E’ at the end of the standard Product Number.

### **Cold Temperature Option – Extended Product Option ‘12CT’ or ‘24CT’**

Standard IncOders have a lower operating temperature limit of -45°C. For prolonged or frequent operation at temperatures <-45°C, a cold temperature version (lower operating temperature of -60°C) should be specified using the 12CT or 24CT Extended Product Option in the voltage supply section of the part number. For operating temperatures <-60°C consult Zettlex.

### **High Temperature Option – Extended Product Option ‘5HT’**

Standard IncOders have an upper operating temperature limit of +85°C. For prolonged or frequent operation at temperatures >85°C, a high temperature version (upper operating temperature of +105°C) should be specified using the 5HT Extended Product Option in the voltage supply section of the part number. Only available with SS11-9, SPI, ASI1-2 & BiSS-C communications. Careful selection of the appropriate cable is required for high operating temperatures. Generally, the high temperature cable INC-CAB3-2-HT should be specified or the AFL5/ALF52 integral cable. For operating temperatures >105°C consult Zettlex.



## 4.6 Extended Product Range

### **Prolonged Immersion, Salt Spray or Extreme Dust Conditions – Extended Product Option ‘C’**

Standard IncOders will operate reliably if subject to moist, wet, dusty or salt spray conditions for short or infrequent periods. Such conditions include immersion in mineral oil or water – depending on cable connection selected. If the IncOder will be subject to prolonged periods of high levels of condensing moisture, immersion in water, exposure to salt atmospheres or potential abrasion by dust or grit then Extended Product Option C is recommended. This option provides additional protection to the IncOder's sensing faces using an acrylic conformal coat. This option is not required if immersion is in mineral oil. This option is not required (because it is already included) if a sealed version of integral axial cable is selected e.g. AFL2, AFL32 or AFL52. Specify 'C' at the end of the standard Product Number.

### **High Pressure Option – Extended Product Option ‘V’**

If operation at high pressures is needed (for example, sub-sea equipment submerged in mineral oil) then the use of Extended Range Product Option 'V' is recommended. Maximum recommended operating pressure is 4,000psi or 280Bar. Higher operating pressures may be possible subject to qualification by the user in host equipment. 'V' designated products undergo a hard epoxy encapsulation process which ensures absence of internal voids. Specify 'V' at the end of the standard Product Number.

## 4.7 Measurement & Electrical Data

### Measurement & Elec. Data for Digital Comms Interfaces - Product Options SSI1-9, SPI, ASI1, ASI2 & BiSS-C

INC-x-58				
Measurement	Absolute over 360°. Note this is true absolute - no motion required at start up			
Resolution (121001 Product Option)	12bits	4,096counts per rev	316.4arc-secs	1536micro-rads
Resolution (141001 Product Option)	14bits	16,384counts per rev	79.1arc-secs	384micro-rads
Resolution (161001 Product Option)	16bits	65,536counts per rev	19.77arc-secs	96micro-rads
Resolution (171001 Product Option)	17bits	131,072counts per rev	9.89arc-secs	12micro-rads
Repeatability	+/-1			count
Static Accuracy over 360°	≤150arc-seconds or 0.73milliradians			
Internal Position Update Period	<0.1			millisecond
Thermal Drift Coefficient	≤0.50			ppm/K Full-Scale
Max. Speed for Angle Measurement	10,000			r.p.m.
Data Outputs	RS422 Compatible, supports SSI (Serial Synchronous Interface), asynchronous serial interface, SPI or BiSS-C			
Power Supply	5VDC(4.5-32VDC) or 12VDC (4.5-32VDC) or 24VDC (4.5-32VDC)			VDC
Current Consumption	<100 (typically <75 and does not change significantly with voltage supply)			milliAmp
Reverse Polarity	PSU Reverse polarity protected to max. supply voltage			VDC
Connector (ACx & RCx Product Options)	Harwin Data Mate Vertical Plug 10 Way with 2 Jack Screws Type M80-500-10-42 or M80-510-10-42 or M80-540-10-42			
Mating Connector (ACx & RCx)	Harwin Data Mate Vertical Socket Type M80-461-10-42 (alternative M80-461-10-05)			
Zero Setting	Via Connector Pin or Integral Cable - see details for set and reset in relevant Section for Connector, Cable or Comms Interface			
Power Up Time To 1st Measurement	<100			millisecond

### Measurement & Electrical Data for A/B/Z Pulses Comms Interfaces - Product Option ABZ1-6

INC-x-58				
Measurement	Incremental with reference mark. Position of reference mark programmable by user.			
Resolution	As above - resolution defined as one edge of A/B pulse train			
Repeatability	+/-1			count
Static Accuracy over 360°	≤150arc-seconds or 0.73milliradians			
Internal Position Update Period	<0.1			millisecond
Thermal Drift Coefficient	≤1			ppm/K Full-Scale
Max. Speed for Angle Measurement	10, 12 or 14bits = 6,000r.p.m.	16bits = 3,600r.p.m.	17bits = 1800r.p.m.	
Data Outputs	A/B pulses with Z pulse ref. Z position settable from connector/cable. Z pulse width selectable by Product Option/ Part Number.			
Power Supply	5VDC±10% or 12VDC (8-32VDC) or 24VDC (8-32VDC)			VDC
Current Consumption	<150 (does not vary significantly with supply voltage)			milliAmp
Reverse Polarity	PSU Reverse polarity protected to max. supply voltage			VDC
Connector (ACx & RCx Product Options)	As above - resolution defined as one edge of A/B pulse train			
Mating Connector (ACx & RCx)	Harwin Data Mate Vertical Socket Type M80-461-10-42 (alternative M80-461-10-05)			
Z Position Setting	Via Connector Pin or Integral Cable - see details for set and reset in relevant Section for Connector, Cable or Comms Interface			
Power Up Time To 1st Measurement	<120			millisecond

## Environmental Data

INC-x-58		
<b>Operating Temp.</b>	Minus 45 to +85 Minus 60 to +85Celsius for 12CT & 24CT Product Option. Minus45 to +105Celsius max. for 5HT Product Option Operation outside limits to be qualified by user. For operations below minus 60 Celsius: contact Zettlex or local representative.	Celsius
<b>Storage Temp.</b>	Minus 55 to +125 (Minus 60 to +125 for 24CT Product Option)	Celsius
<b>Temperature Shock</b>	MIL-STD-810G, Method 503.5, Procedure I-B (T1=-40 °C, T2=55 °C.)	
<b>IP Rating - Rotor &amp; Stator</b>	IP67 for <60 minutes & 1m depth (Installed with mechanically protected connector or AFL1-5 or VFL1-5 Product Options) IP68 100m depth (Installed with mechanically protected connector or AFL2-52 or VFL2-52 Product Option) For immersion at depths of >100m select Extended Range High Pressure Option	
<b>IP Rating - Connector</b>	IP50 (ACx or RCx Product Option). See Section 4.5 for IP rating of AFLx & VFLx Product Option	
<b>Humidity</b>	RH 0-99% standard. Select Extended Range Option C & appropriate connector for condensing humidity or long term immersion	
<b>Salt Fog</b>	(Installed with protected cable/connector or any integral axial cable) Complies with DEF STAN 00-35 Pt 3 Iss. 4, Test CN2 Salt Mist Test. Select Extended Range Option C and appropriate connector for environments with significant exposure to salt fog	
<b>Bio Hazards</b>	(Installed with protected cable/connector or any integral axial cable) Complies with DEF-STAN 00-35 Pt 4 Iss. 4 Section 11 (Hazards)	
<b>Induced Dust &amp; Sand</b>	Complies with DEF STAN 00-35 Pt 3 Iss 4, Test CL25 (Turbulent Dust) Cat 1. Select Extended Range Option C and appropriate connector for environments with abrasive dust or sand.	
<b>Mechanical Impact Resistance</b>	IK07 - when installed - suitable for mechanical impacts from objects of >200grams from 1m height	
<b>Shock</b>	IEC 60068-2-27 100g for 11ms - axial & radial - suitable for most airborne, marine & armoured vehicles MIL-STD-810G, Method 516.6, Procedure I-Functional Shock - axial and radial - 40 g 11 ms, sawtooth waveform For more extreme or prolonged conditions specify Extended Product Option G & preferably Integral Axial Cable	
<b>Vibration</b>	IEC 60068-2-6 20g for 10-2000Hz - axial and radial - suitable for most high vibration & airborne environments MIL-STD-810G, Method 514.6, Procedure I - axial and radial - Category 20, for tracked vehicles For more extreme or prolonged conditions specify Extended Product Option G and preferably Integral Axial Cable	
<b>Environmental pressure range</b>	0 to 7 (i.e. vacuum to 7). See Extended Product Range High Pressure Option for higher operating pressures	Bar
<b>Max. permissible press. change rate</b>	1	Bar/second
<b>EMC Radiated Susceptibility</b>	(Installed) Complies with IEC 61000-6-2 - suitable for fitment in harsh environments	
<b>EMC Radiated Emissions</b>	(Installed) Complies with IEC 61000-6-4 - suitable for fitment adjacent to EMI sensitive devices	
Materials - all Product Options		
<b>Housing</b>	Standard range:- Al. alloy (6061-T6 or 6084-T6) with SurTec650. Sensor surfaces: FR4 grade epoxy	
<b>Connector (ACx or RCx Product Option)</b>	PPS with Stainless Steel Screw Fixings and Gold & Tin Electrical Connections	
Miscellaneous - all Product Options		
<b>Mass (ACx or RCx Product Option)</b>	105	grams
<b>Mass (AFLx or VFLx Product Option excluding cable)</b>	135	grams
<b>Shaft Starting Torque</b>	Typically <0.01Nm at 20Celsius	Nm
<b>Inertia (1/4" Solid Shaft Product Option)</b>	13	gmm <sup>2</sup>
<b>MTBF</b>	0.22 failures per 1M hours based on MIL-HBK-217+ method for ground military vehicles at 20Celsius average	
<b>MTBF</b>	0.35 failures per 1M hours based on MIL-HBK-217+ method for naval sheltered at 35Celsius average	
<b>Hazardous materials</b>	Standard range - Hazardous materials not used. RoHS compliant. RoHS certificate available. REACH statement available.	
<b>Outgassing materials</b>	Complies with NASA class'n as low outgas matl. with TML <1% & CVCM <0.1% at 125C & 24hrs vacuum to ASTM E-595-90	
<b>ITAR classification</b>	Not ITAR controlled. No ITAR components	
<b>Approvals</b>	Flammability Rating UL94V-0. Standard range - RoHS compliant - RoHS certificate available. REACH statement available.	
<b>Marking</b>	Zettlex logo & IncOder on exterior housing; Serial No. labelled on exterior diameter of housing Extended Product Range Option E - engraved serial number and part number on exterior faces of housing	
<b>Country of Manufacture</b>	UK	
<b>Export Licence Requirements</b>	Not required	

Zettlex often modify IncOders to specific OEM requirements. Potential changes include :-

- size, mechanical mounts and housing materials
- voltage supplies & electrical outputs
- measurement performance
- connectors, cables & immersion protection
- temperature range – notably to -100Celsius and below
- low weight or low inertia.

Consult Zettlex or your local representative for further information. Typically, customised products are an economical option in volumes of >100 units/year. Engineering/tooling charges may apply depending on order quantity. Some examples and guidance on suitable dimensions are shown below.



ATEX approved, multi-turn unit for extreme environments.



Compact sensor for high shock & vibration environment with integral cable.



Ultra lightweight (13gram) miniature unit.



Custom housing with chromate surface finish & integral cable for remotely controlled gimbal.



End of shaft unit with black-anodized custom housing & military connector for fighting vehicles.



Electrically duplex lightweight encoder with collar clamp.





The IncOder range offers 5 different Communication Interfaces:-

- Synchronous Serial Interface – see Section 6.4 (Product Options SSI1-9)
- Asynchronous Serial Interface – see Section 6.5 (Product Option ASI1-2)
- Serial Peripheral Interface – see Section 6.6 (Product Option SPI1)
- A/B/Z pulses – see Section 6.7 (Product Option ABZ1-6)
- BiSS-C – see Section 6.8 (Product Options BIS1)

**All digital Communications Interfaces conform to the RS422 Standard.** Note that for all Communications Interfaces, DATA & CLOCK inputs are not terminated with load resistors.

## 6.1 Output Resolution

The IncOder range offers various Options for the resolution of the output data. The required digital resolution is simply specified using the relevant Product Option – see Section 8.

**INC - XX - XX.XXX - XXXXXX - XXXX - XXXX - X - X**

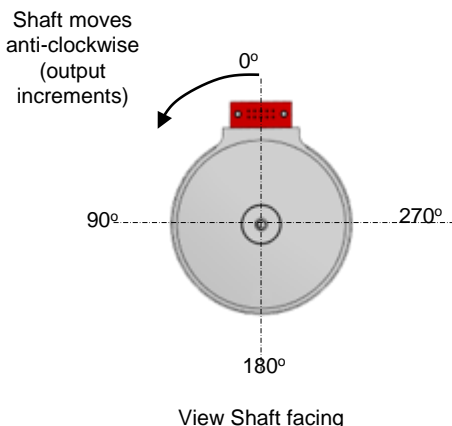
<b>Resolution</b> measured in bits.	
10 Bits	<b>101001</b>
11 Bits	<b>111001</b>
12 Bits	<b>121001</b>
13 Bits	<b>131001</b>
14 Bits	<b>141001</b>
15 Bits	<b>151001</b>
16 Bits	<b>161001</b>
17 Bits	<b>171001</b>
<i>Alternatively, for ABZ pulse output only, specify number of pulses per rev up to a max of 32,768 e.g. <b>P32678</b></i>	

## 6.2 Multi-Turn or Single Turn

The default electrical output from an IncOder is over 1 rev. For multi-turn devices please contact Zettlex or your local rep. IncOder offers the possibility to count how many turns have been made by modifying the IncOder's software. To maintain turn count, an uninterruptable power supply is necessary.

## 6.3 Zero Point Set & Reset for Digital Outputs

**Product Options - SSI1-9, SPI1, ASI1-2, BIS1**



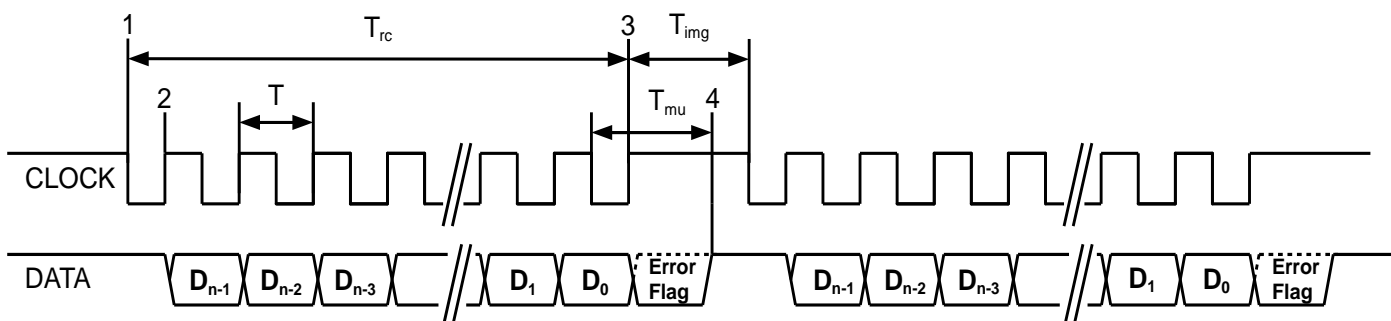
The Zero Point is the datum from which angle is measured. As supplied, the IncOder carries a factory Zero Point setting. The Zero Point is very roughly in line with the flat edge of shaft when positioned vertically to the right and the connector is at the top. The Zero Point can be changed using the Zero Set and Zero Reset lines on the IncOder's electrical interface. The Zero Set signal will set the current IncOder position as the Zero Point (held in memory when power removed). Zero Reset signal will reset the Zero Point to the factory setting (held in memory when power removed). To use, the relevant connection should be connected to electrical ground (<0.5V) for ≥1 second at power up but left unconnected (i.e. open circuit) during operation.

## 6.4 Synchronous Serial Interface (SSI) – Product Options SSI1-SSI9

### 6.4.1 Generic Protocol Definition– Product Options SSI1-SSI9

SSI is a widely used serial interface between position sensors and controllers. It is based on the RS-422 hardware standard and implements a differential output for the DATA and a differential input for the CLOCK. (Note that DATA outputs and CLOCK inputs are not terminated with load resistors.)

Synchronous SSI uses a clock sequence from a controller to initiate the transmission of position data from the sensor (a Read Cycle), with the latest position data (see Section 4.7 for internal position update rate) available for transmission after each SSI Read Cycle is completed. See timing information below:-



T: Clock Period ( $1/T = 100 \text{ kHz to } 2 \text{ MHz}$ )

Trc: Read Cycle time: This is defined as  $(n \times T) + (0.5 \times T)$

Tmu: Message Update time. The time from last falling edge of clock to when new data is ready for transmission.

$T_{mu} = 20\mu\text{s} \pm 1 \mu\text{s}$ . The DATA line will be HIGH after this time indicating a new Read Cycle can be started.

Timg: Intermassage Gap time. Must be  $> T_{mu}$  otherwise position data will be indeterminate.

n: The number of bits in the message (not including the Error Flag).

In idle state CLOCK and DATA are both HIGH

#### Notes:

1. The first falling edge after  $T_{mu}$  starts the Read Cycle and the transfer of data.
2. Each rising edge of the CLOCK transmits the next data bit of the message, starting with  $D_{n-1}$ .
3. After the last rising edge of the clock sequence, the data line is set by the Error Flag (if supported) for the period  $T_{mu} - 0.5 \times T$ .
4. After  $T_{mu}$ , the latest position data is now available for transmission in the next Read Cycle – see Section 4.7 for position update rate.

SSI can support a variety of protocols in which data is transmitted depending on the requirements of the SSI controller. **IncOder can be supplied with any of the following protocols – just choose what you need by using the relevant Product Option when ordering (see Section 8).** If the protocol you require is not listed here then please consult Zettlex or your local representative.

*Most popular choice*

#### SSI1 (n = 24)

<b>D23</b>	PV	Position Valid Flag. Set to 1 when data is valid, otherwise 0 (the inverse of the ERROR FLAG).
<b>D22</b>	ZPD	Zero Point Default. Set to 1 when the Zero Point is at Factory Default, otherwise 0
<b>D21-D0</b>	PD[21:0]	Binary position data. If resolution of device is less than 22 bits, then the MSBs of this field are set to 0. The LSB of this field is in D0. When PV is 0, PD[21:0] value is not defined.

#### SSI2 (n = 24)

<b>D23-D2</b>	PD[21:0]	Binary position data. If resolution of device is less than 22 bits, then the MSBs of this field are set to 0. The LSB of this field is in D2. When Alarm bit is 1, PD[21:0] value is not defined.
<b>D1</b>	P	Parity Bit 0 indicates an even number of 1's in data (D23-D2), 1 indicates an odd number of 1's in data.
<b>D0</b>	A	Alarm Bit – 0 indicates normal operation, 1 indicates error condition.

#### SSI3 (n = 16)

<b>D15-D0</b>	PD[15:0]	Binary position data. When ERROR FLAG is 1, PD[15:0] value is not defined.
---------------	----------	----------------------------------------------------------------------------

Note: the use of SSI3 effectively limits the measurement resolution to a maximum of 16bits. If a higher resolution is specified in the part number, the least significant bits will not be accessible by the user.

#### SSI4 (n = 32)

<b>D31</b>	PV	Position Valid Flag. Set to 1 when position data valid, otherwise 0 (inverse of ERROR FLAG).
<b>D30</b>	ZPD	Zero Point Default. Set to 1 when the Zero Point is at Factory Default, otherwise 0.
<b>D29-D11</b>	PD[18:0]	Binary position data. If resolution of device is less than 19 bits, then the MSBs of this field are set to 0. The LSB of this field is in D11. When PV is 0, PD[18:0] value is not defined.
<b>D10-D0</b>	TS[10:0]	Time stamp data. The value of the Time Stamp counter when the position was measured. This data is always valid. The Time Stamp counter is a continuously incrementing counter in the range: 0.00ms to 20.47ms (at which point it restarts at 0.00ms). It has a resolution of 10us, with an accuracy better than 1% (based on the system oscillator).

#### SSI5 (n = 16)

<b>D15-D0</b>	PD[15:0]	Gray code, position data. When ERROR FLAG is 1, PD[15:0] value is not defined.
---------------	----------	--------------------------------------------------------------------------------

Note: the use of SSI5 effectively limits the measurement resolution to a maximum of 16bits. If a higher resolution is specified in the part number, the least significant bits will not be accessible by the user.

#### SSI6 (n = 32)

<b>D31-D24</b>	CRC[7:0]	CRC-8: To verify transmission, calculate the CRC of the bottom 24 bits of the message. The resulting CRC should be the same as the received CRC field. The following parameters define CRC-8: Polynomial 0x97 Initial data 0x00 MSB First (not reversed) No final XOR calculation.
<b>D23</b>	PV	Position Valid Flag. Set to 1 when position data is valid, otherwise 0 (the inverse of the ERROR FLAG).
<b>D22</b>	ZPD	Zero Point Default. Set to 1 when the Zero Point is at Factory Default, otherwise 0.
<b>D21-D0</b>	PD[21:0]	Binary position data. If resolution of device is less than 22 bits, then the MSBs of this field are set to 0. The LSB of this field is in D0. When PV is 0, PD[21:0] value is not defined.

#### SSI7 (n = 30)

<b>D29-D24</b>	-	Data always 0.
<b>D23-D2</b>	PD[21:0]	Binary position data. If resolution of device is less than 22 bits, then the MSBs of this field are set to 0. The LSB of this field is in D2. When Alarm bit is 1, PD[21:0] value is not defined.
<b>D1</b>	P	Parity Bit 0 indicates an even number of 1's in data (D23-D2) 1 indicates an odd number of 1's in data.
<b>D0</b>	A	Alarm Bit – 0 indicates normal operation, 1 indicates error condition.

#### SSI8 (n = 18)

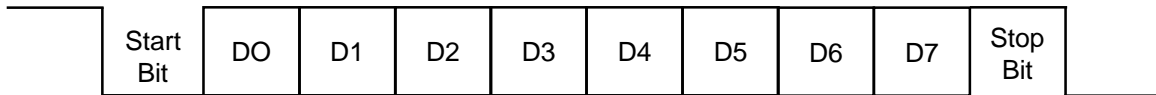
<b>D17-D0</b>	PD[17:0]	Gray code, position data. When ERROR FLAG is 1, PD[17:0] value is not defined.
---------------	----------	--------------------------------------------------------------------------------

#### SSI9 (n = 32)

<b>D31</b>	PV	Position Valid Flag. Set to 1 when position data valid, otherwise 0 (inverse of ERROR FLAG).
<b>D30</b>	ZPD	Zero Point Default. Set to 1 when the Zero Point is at Factory Default, otherwise 0.
<b>D29-D11</b>	PD[18:0]	Binary position data. If resolution of device is <19bits, then the MSBs of this field are set to 0. The LSB of this field is in D11. When PV is 0, PD[18:0] value is not defined.
<b>D10-D0</b>	TS[10:0]	Time stamp data. The value of the Time Stamp counter when the position was measured. This data is always valid. The Time Stamp counter is a continuously incrementing counter in the range: 0.00ms to 2.047ms (at which point it restarts at 0.00ms). It has a resolution of 1us, with an accuracy better than 1% (based on the system oscillator).

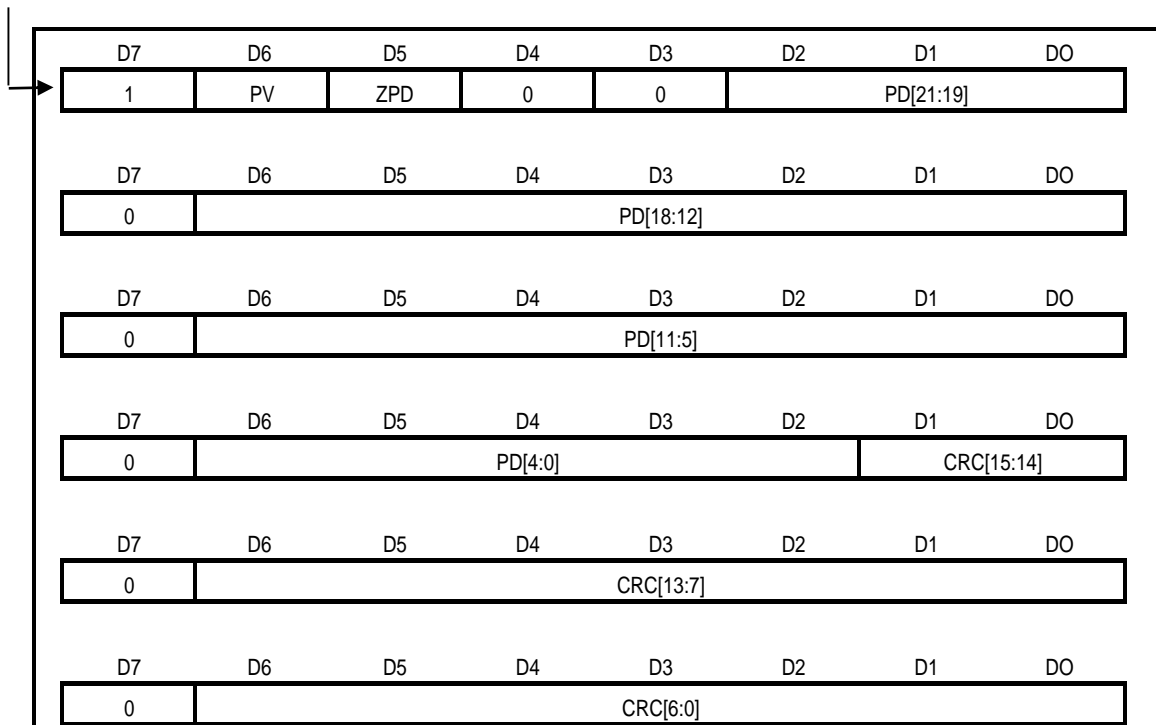
# 6.5 Asynchronous Serial Interface Protocol – Product Options ASI1 & ASI2

This section describes the communications interface for IncOders with ASI1 or ASI2 serial protocols. Data is transmitted by the IncOder continuously formatted into Frames. Each Frame consists of a number of 8 bit data words. Each 8 Bit data word (or byte) is transmitted from a standard UART using N-8-1 (no parity, 8 data bits, 1 stop bit). ASI1 has a Baud rate of 230400 and ASI2 has a Baud rate of 921600. See below for the data format of each transmitted data word. The Frames are transmitted at a rate of 10kHz nominal (same rate as Internal Position Update Period).



The following is the Asynchronous Serial Data protocol specified with the ASI1 or ASI2 Product Option. Each frame is defined as 6 bytes and the data format is defined as follows:

First byte (transmitted first):



### Data Definition for Asynchronous Serial Interface

- PV      Position Valid flag. Set to 1 when data is valid, otherwise set to 0
- ZPD     Zero Point Default. Set to 1 when the Zero Point is at Factory Default, otherwise set to 0.
- PD[21:0]    IncOder Position Data. If resolution of device is less than 22 bits then the MSBs of this field are set to 0.  
When PV is 0, PD[21:0] value is not defined.
- CRC[15:0]    CRC-16: To verify transmission, calculate the CRC of all 48 bits of the message but with CRC[15:0] set to 0.  
The resulting 16 bit CRC result should be the same as the received CRC[15:0].  
Use the following CRC-16 parameters:  
  - Polynomial      0x8005
  - Initial data      0x0000
  - MSB first (not reversed)
  - No final XOR calculation.

This section describes the communications interface for IncOders with SPI1 (Serial Peripheral Interface) serial protocol. SPI is a widely used serial interface between micro processors/controllers and peripherals. SPI uses a clock sequence from a master to control the transmission of data from the IncOder. IncOders with SPI data interface conform to the RS422 hardware specification.

Note that the DATA outputs and the CLOCK inputs are not terminated with load resistors.

The following section defines the communication protocol.

The IncOder protocol specifies that each data frame consists of 6 bytes of data (each of 8 bits, 48 bits in total) containing the position, status flags and CRC (see timing diagram on the following page).

SPI Clock Polarity is defined so that the CLOCK idle state is HIGH and the Clock Phase is defined so that the data is captured on the falling edge of CLOCK, and the data is propagated on the rising edge of CLOCK. This is commonly depicted as CPOL=1, CPHA=0 (also depicted as UCCKPL=1, UCCKPH=1).

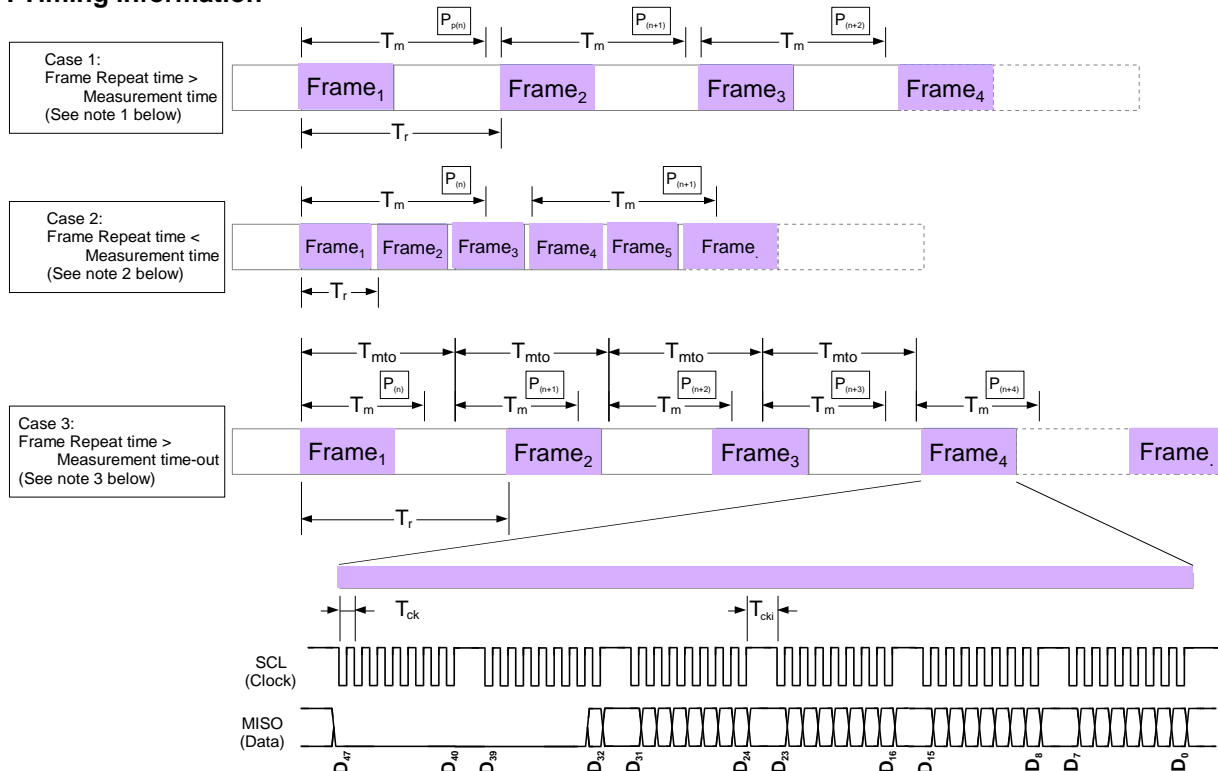
Clock rate is 100kHz to 5MHz.

### Data Definition for IncOder SPI Protocol

<b>D47-D33</b>	SBZ	These bits will always be Zero.
<b>D32</b>	ZPD	Zero Point Default flag. Set to 1 when the Zero Point is at Factory Default, otherwise 0.
<b>D31</b>	PV	Position Valid Flag. Set to 1 when position data is valid, otherwise 0.
<b>D30</b>	PS	Position Synchronised flag. Set to 1 when the position measurement was triggered by a previous SPI Frame. Set to 0 when the position measurement was triggered by a Measurement Time-out (see note 3 overleaf). Use this flag to ensure that the IncOder has synchronised position measurements to the SPI Frames (Case 1, overleaf).
<b>D29-D8</b>	PD[21:0]	Binary position data. If resolution of device is less than 22 bits, then the most significant bits of this field are set to 0. The LSB of this field is in D0. When PV is 0, PD[21:0] value is not defined.
<b>D7</b>	SD	Stale Data flag. Set to 1 when the position data has been transmitted at least once before. Set to 0 when the position data has not been transmitted before. Use this flag to detect when a new measurement has been completed (Case 2, overleaf).
<b>D6-D0</b>	CRC[6:0]	Cyclic Redundancy Checksum. 7 Bit CRC: Polynomial 0x5B, Initial data 0x0000, MSB first (not reversed), No Final XOR.

Note – the CRC is generated from bits D7 through D32. It is calculated using a 32 bit word (or 4 bytes) with D7 shifted in to the Least Significant Bit and the 6 Most Significant Bits set to '0' as required.

## SPI Timing information



### Timings determined by the Controller (SPI Master):

- $T_{ck}$  Clock period (1/T = 100kHz to 5MHz).
- $T_{cki}$  Clock Idle Period. Time between bytes during which CLOCK is idle.  $T_{cki}$  should be  $< T_{ckimax} = 10\mu s$
- $T_r$  Frame Repetition period.

### Timings defined by the IncOder (SPI Slave):

- $T_m$  Position Measurement time. The time from the start of a position measurement to when the position and status is ready for transmission.  $90\mu s \leq T_m \leq 95\mu s$
- $T_{mto}$  Position Measurement Time-out. The time after a position measurement has been triggered that the IncOder will automatically trigger a new measurement.  $135\mu s \leq T_{mto} \leq 145\mu s$ .

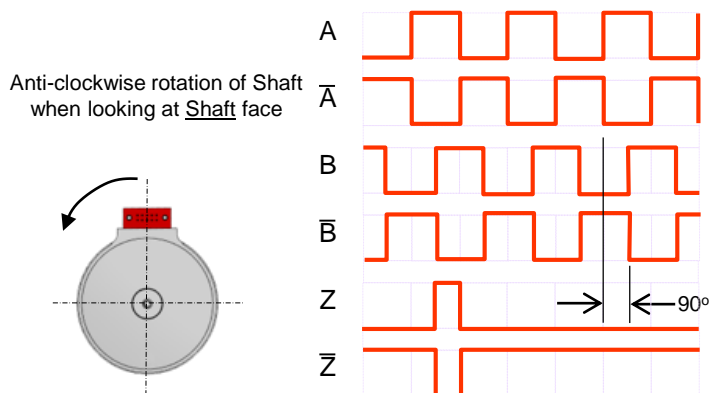
### Notes:

- The IncOder will always attempt to trigger a new position measurement when a new SPI frame is started by the host. This will always be the case when  $T_r$  is greater than  $T_m$  and less than  $T_{mto}$ .
- If a position measurement has already been triggered when a new SPI frame is started by the host, then a new position measurement will not be re-triggered. This may be the case when  $T_r$  is less than  $T_m$ .
- If the Host does not start a new SPI frame within time  $T_{mto}$  from the previous frame (the case when  $T_r$  is greater than  $T_{mto}$ ), then the IncOder will automatically trigger a new position measurement.
- In all cases, the IncOder will transmit the most recently completed measured position and status (see table below).
- When CLOCK is idle for at least  $T_{ckimax}$ , then the IncOder SPI interface will reset. The first falling edge on CLOCK after  $T_{ckimax}$  will start the transmission of a new frame. This can be useful if the SPI host and slave (IncOder) lose Frame/Byte synchronisation (detected by invalid CRC).

Frame Number	Position transmitted (case 1)	Position transmitted (case 2)	Position transmitted (case 3)
Frame 1	$P_{(n-1)}$	$P_{(n-1)}$	$P_{(n-1)}$
Frame 2	$P_{(n)}$	$P_{(n-1)}$	$P_{(n)}$
Frame 3	$P_{(n+1)}$	$P_{(n-1)}$	$P_{(n+1)}$
Frame 4		$P_{(n)}$	$P_{(n+3)}$
Frame 5		$P_{(n)}$	

IncOders with A/B/Z pulses are often used as velocity or brushless motor encoders. A/B/Z pulse IncOders provide cyclical outputs as the encoder rotates. Streams of pulses are arranged in phase quadrature for direction sensing. The Z-reference or 'index' pulse is triggered once per turn. There are 6 Product Options:-

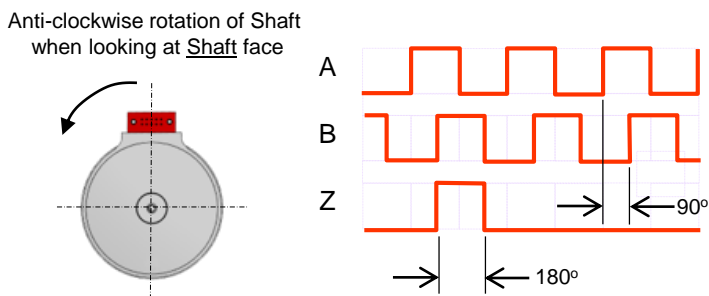
**Product Option ABZ1 - RS422 with 90° width Z reference**  
**Product Option ABZ2 - RS422 with 180° width Z reference**



A leads B for anti-clockwise rotation of shaft  
 Phasing: 90° electrical  
 Symmetry: 180° electrical  
 Max. pulse frequency: 1MHz  
 High signal: >2.5V  
 Low signal: <0.5V  
 Max. output load: 30mA  
 Diagram shows 90° width Z reference (ABZ1)

**Product Option ABZ3 - Push-Pull (TTL) with 90° width Z reference**  
**Product Option ABZ4 - Push-Pull (TTL) with 180° width Z reference**  
**Product Option ABZ5 - Push-Pull (HTL) with 90° width Z reference**  
**Product Option ABZ6 - Push-Pull (HTL) with 180° width Z reference**

Push-Pull devices may be run in antivalent mode (shown above) or single ended mode (shown below).



A leads B for anti-clockwise rotation of shaft  
 Phasing: 90° electrical  
 Symmetry: 180° electrical  
 Max. pulse frequency: 1MHz  
 High signal: >Vsupply – 2V (HTL) or >4.5V (TTL)  
 Low signal: <0.2V  
 Max. current: 30mA  
 Diagram shows 180° width Z reference (ABZ4 or 6)

Note: 1 edge = 1 count or 1 bit. 4 counts per pulse. Readers should be set to 4x resolution for full resolution.

**Z Reference Position :** The factory set Z Reference Position is roughly in line with the flat edge of shaft when positioned vertically to the right and the connector is at the top. Z Reference Position may be changed using the Z Set or Z Reset lines on the IncOder's electrical interface (see Section 4.5 or 7.0).

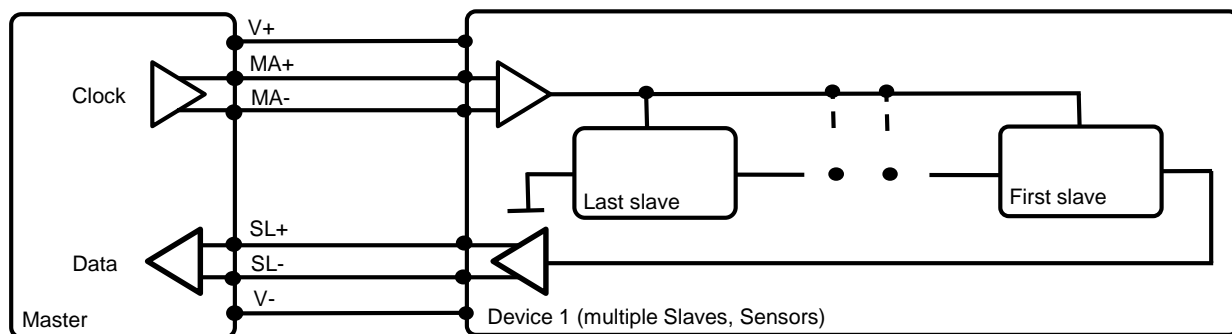
**Setting Z Reference Position:** Z Set signal sets the current position as Z Reference Position. This is held in memory when power removed. Z Reset signal will reset the Z Reference Position to factory setting (held in memory when power removed). To use, the relevant connection should be connected to electrical ground (<0.5V) for at least 1 second at power up but left unconnected (i.e. open circuit) during normal operation (see Section 4.5 or 7.0).

**Error Signalling:** IncOders carry out various self checks. If an error is detected then an error signal is generated. This is shown by all outputs going to low signal (including differential outputs).

**Counts per rev (CPR) & Pulses per rev(PPR):** CPR may be chosen as any even integer number of bits up to 17 e.g.12 (4096CPR). PPR may be chosen up to 32,768. See Section 8 on how to select CPR or PPR from the part number. In part number, letter P in front of chosen pulses per rev indicates selection.



BiSS-C is a popular communications interface between controllers and position sensors. The IncOder BiSS-C interface is unidirectional and provides fast, compact, economic serial communications using RS422 (SSI) compatible hardware. The IncOder BiSS-C interface is a point to point configuration, conforming to the requirements of BiSS-C Unidirectional. In this configuration, one or more slaves are connected to the master (the host control system). The IncOder can be the only or the last of several slaves.



The Master transmits clock signals to the Slave(s) via the MA line. The SL line carries the sensor data directly from the Slave back to the Master. The interface has only two unidirectional, differential lines. As the IncOder permanently connects the input SLI to '0' then the IncOder must either be the only Slave, or the 'last Slave'. Parameters for the individual data channels are specified below. These parameters can be pre-programmed in the controller and referenced via an ID or lookup table, or manually entered.

### BiSS-C Timing Parameters

Symbol	Parameter	Min.	Max.	Unit
$1/T_{MA}$	Clock Frequency	600	2000	kHz
$T_{BISS-TIMEOUT}$	BiSS Timeout	15	20	micro-seconds

### BiSS-C Data Channel Parameters

Number of Bits (SCD length)	31
Processing Time	12 Clock Cycles (12 x $T_{MA}$ micro-seconds)
Data Area Length & Alignment	25Bits, Right Aligned
CRC	Width: 6Bits Polynomial: 0x43 Initial Value: 0x00 Output Inverted

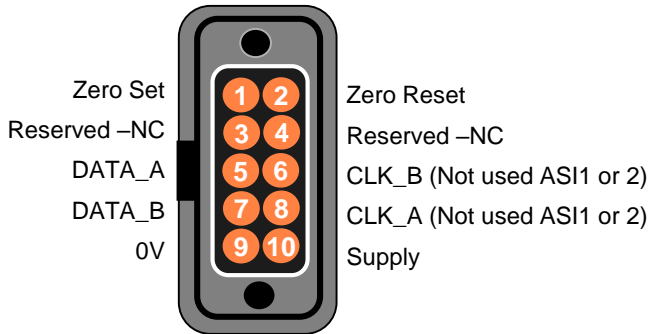
### Data Area Definition

MSB										LSB	
F2	F1	FO	D21	D20	D19	D18	....	D3	D2	D1	DO

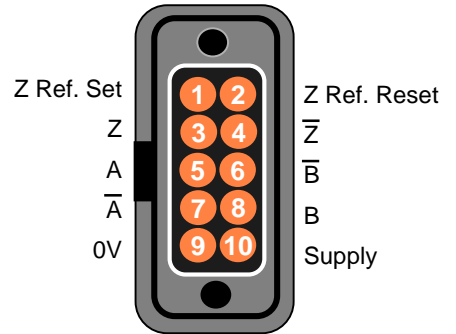
- F2: '1' = valid (the position reading is valid)
- F1: '1' = zero position default (the zero position is set to the factory default value)
- FO: '1' = sync (position data reading was synchronised to previous BiSS frame)
- D21: Most significant bit of the position data (if IncOder resolution is <22Bits the MSBs are set to '0')
- DO: Least significant bit of the position data.

# 7. Connector Diagrams

## Product Option AC1 with Digital Outputs SSI1-9, ASI1-2, SPI1, BIS1



## Product Option AC1 with A/B/Z Pulse Outputs ABZ1-6



Notes:-

1. 27kOhm pull up resistors fitted to Zero Set, Span Set, Direction Set, Zero Reset & Reset inputs
2. Reserved pins are for factory use only and should be left open circuit

**INC - XX - XX.XXX - XXXXXX - XXXX - XXXX - X - X**

**Mechanical Format**  
 Packaged Servo Clamp – **20**  
 Packaged Screw Flange – **21**

**Finish**  
**S** SurTec650

**Supply Voltage**  
**5**  
**5HT** (Note 5)  
**12**  
**12CT** cold temp.  
**24**  
**24CT** cold temp.

**Sizes & Shaft Type**  
**58.030** 58 & 3.0mm Solid Shaft  
**58.031** 58 & 1/8" Solid Shaft  
**58.060** 58 & 6.0mm Solid Shaft  
**58.063** 58 & 1/4" Solid Shaft  
**58.095** 58 & 3/8" Solid Shaft  
**58.100** 58 & 10.0mm Solid Shaft  
**58.030A** 58 & 3.0mm Hub Shaft  
**58.031A** 58 & 1/8" Hub Shaft  
**58.060A** 58 & 6.0mm Hub Shaft  
**58.063A** 58 & 1/4" Hub Shaft

**Connector**  
**AC1** axial connector direction 1  
**AC2** axial connector direction 2  
**RC1** radial connector direction 1  
**RC2** radial connector direction 2  
**AFL1** integral axial cable  
**AFL2** integral axial cable, sealed  
**AFL3** integral axial, high flex cable  
**AFL32** integral axial, high flex cable, sealed  
**AFL5** integral axial, PTFE / MIL spec cable  
**AFL52** integral axial, PTFE / MIL spec cable, sealed  
**VFL1** integral vertical cable  
**VFL2** integral vertical cable, sealed  
**VFL3** integral vertical, high flex cable  
**VFL32** integral vertical, high flex cable, sealed  
**VFL5** integral vert., PTFE / MIL spec cable  
**VFL52** integral vert., PTFE / MIL spec cable, sealed

**Resolution**  
 10 Bits **101001**  
 11 Bits **111001**  
 12 Bits **121001**  
 13 Bits **131001**  
 14 Bits **141001**  
 15 Bits **151001**  
 16 Bits **161001**  
 17 Bits **171001**  
 PPR (Note 3) **PXXXXXX**

**Communication Interfaces**

<b>ASI1</b> Asynch. Serial I/face 1	<b>SSI9</b> SSI Type 9
<b>ASI2</b> Asynch. Serial I/face 2	<b>SPI1</b> Serial Peripheral I/face
<b>SSI1</b> SSI Type 1	<b>ABZ1</b> RS422 90° width Z
<b>SSI2</b> SSI Type 2	<b>ABZ2</b> RS422 180° width Z
<b>SSI3</b> SSI Type 3 (Note 2)	<b>ABZ3</b> Push-Pull TTL 90° width Z
<b>SSI4</b> SSI Type 4	<b>ABZ4</b> Push-Pull TTL 180° width Z
<b>SSI5</b> SSI Type 5 (Note 2)	<b>ABZ5</b> Push-Pull HTL 90° width Z
<b>SSI6</b> SSI Type 6	<b>ABZ6</b> Push-Pull HTL 180° width Z
<b>SSI7</b> SSI Type 7	<b>BIS1</b> BiSS-C right aligned
<b>SSI8</b> SSI Type 8	

- Notes:**
1. 1 IncOder includes 1 packaged IncOder unit but excludes Accessories (e.g. servo clamps)
  2. Maximum effective resolution limited by communications protocol – see Section 6.4.2
  3. For ABZ pulse output only - if required resolution is not an integer bit value, specify even number of pulses per rev up to 32,768.
  4. See Section 4.6. for Extended Range Options. Note standard surface finish is SurTec650.
  5. High Temperature Option available with SSI1-9, SPI, ASI1-2 & BIS1 Comms only.

**If you have difficulty in specifying what you need, please contact Zettlex or your local representative.**

Here are some examples of part numbers:-

**INC – 20 – 58.060 – 171001 – SSI1 – AC1 – 12 – S**

Packaged servo clamp, 58mm outer diameter, 6mm solid shaft, 17 bit resolution, SSI1, axial connector direction 1, 12V, SurTec650 surface finish.

**INC – 21 – 58.030A – 171001 – ASI1 – AFL2 – 24 – S**

Packaged screw flange, 58mm outer diameter, 3mm hub shaft, 17 bit resolution, asynchronous serial data type 1, integral axial cable, sealed, 24V, SurTec650 surface finish.

In the event that a custom or non-standard product is required, we will generate a part number accordingly – like the following example:-

**INC – ACME – 58 – 141002 – BIS1 – AB – 12CT – S - BP**

ACME custom design format, 58mm diameter, 14 bit resolution, data output over 2 revs, BiSS-C right aligned, custom connector, 12V supply, cold temperature option, SurTec650 surface finish, Burn-in, leaded solder.

## 8.3 Product Ordering – Extended Range

**For most applications Extended Product Range Options are not necessary.** However, in those instances where these additional / alternative steps are mandatory or deemed necessary, please add the following Product Options to the end of the standard part number. One or more of Extended Product Range Codes may be added. Note that not all Extended Range Options apply to all sizes. Further, selection of any Extended Product Range Codes increase costs and lead-times and should only be specified if necessary.

- B** Extended thermal stress-screening (burn-in test) / bake-off
- E** Engraved serial number and part number on housing (rather than serial label)
- G** Very high shock & vibration mechanical arrangement
- P** Use of leaded solder (rather than RoHS compliant solder)
- V** Option for high operating pressure
- C** Conformally coated sensor faces

For cold temperature option (to -60°C operating) select **12CT** or **24CT** in Supply Voltage Product Option.

For high temperature option (to 105°C operating) select **5HT** in Supply Voltage Product Option.

Example of an extended part number:

**INC – 20 – 58.095 – 171001 - ASI1 – RC1 – 12CT – S - BE**

Packaged servo clamp, 58mm outer diameter, 3/8" solid shaft, 17 bit resolution, asynchronous serial data type 1, radial connector direction 1, 12V supply (cold temperature), burn in, engraving.

## 9.1 Standard Cable (8-way) & High Temperature Cable (8-way)

Mating connector and tinned wires on other end.

Use this for SSI1-9, SPI1, ASI1-2 & BiSS-C comms.

Use 10-way cable for A/B Pulse comms (see overleaf).



### Standard Cable:-

Product Option INC – CAB3 – 2 (2m long)

Product Option INC – CAB3 – 5 (5m long)

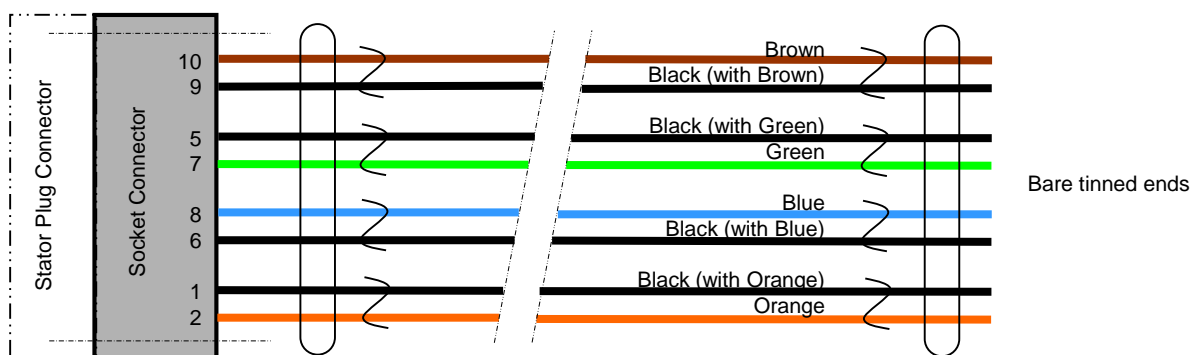
Product Option INC – CAB3 – 10 (10m long)

### High Temperature Cable:-

Product Option INC – CAB3 – 2 – HT (2m long)

Product Option INC – CAB3 – 5 – HT (5m long)

Product Option INC – CAB3 – 10 – HT (10m long)



Pair No.	Colour	Connector Pin (For Info. Only)	Signal (SSI1- & SPI & BiSS-C)	Signal (ASI1-2)
1	Brown	10	V <sub>supply</sub>	V <sub>supply</sub>
1	Black	9	0V	0V
2	Black	5	Data A	Data A
2	Green	7	Data B	Data B
3	Blue	8	Clock A	Not Used
3	Black	6	Clock B	Not Used
4	Black	1	Zero Set	Zero Set
4	Orange	2	Zero Reset	Zero Reset

- Socket Connector: Harwin DataMate J-Tek 10-way with 2 jack screws, part number M80-461-10-42
- Temperature Rating = -30 to +80Celsius or 105Celsius for High Temp. option
- UL Temperature Rating 80Celsius (UL AWM Style 2464) or 105Celsius for High Temp. option
- Cable diameter = 6mm nominal
- Min. flexing rad. = 76mm with a 1-off bend radius (e.g. on installation) of 20mm
- Cable length = 2, 5 or 10m +/- 0,1m as standard
- Cable sheath & outer jacket = PVC for standard & PTFE for High Temp. option
- Conductors = 24 AWG multi-strand copper wires, twisted pairs, overall foil shield, tinned copper drain wire
- Conductor insulation = polyethylene for standard & PTFE for High Temp. option
- For integral axial cable (Product Option AFLx & VFLx) connection table see Section 4.5.

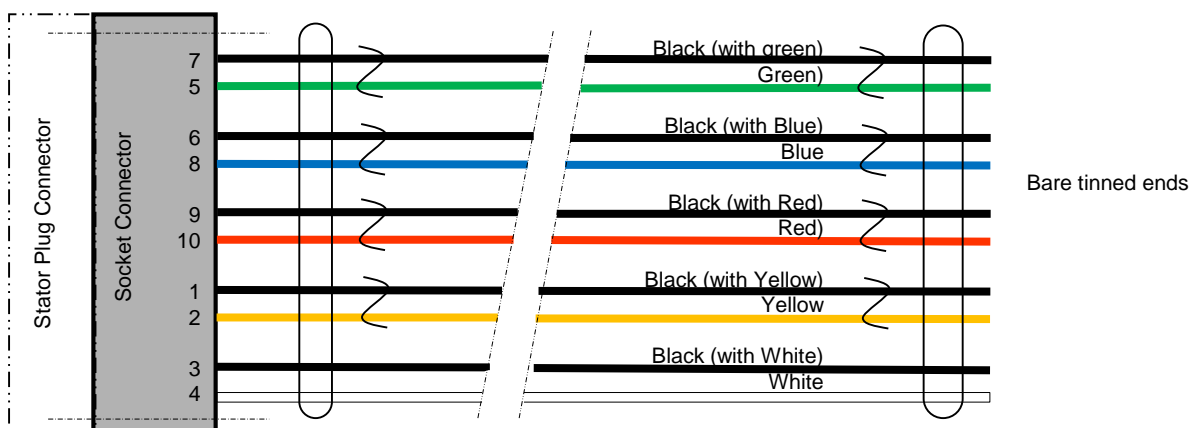
## 9.2 Standard Cable (10-way)

Mating connector and tinned wires on other end.

**Use this cable for A/B pulse comms.**



- Product Option** INC – CAB5 – 2 (2m long)
- Product Option** INC – CAB5 – 5 (5m long)
- Product Option** INC – CAB5 – 10 (10m long)



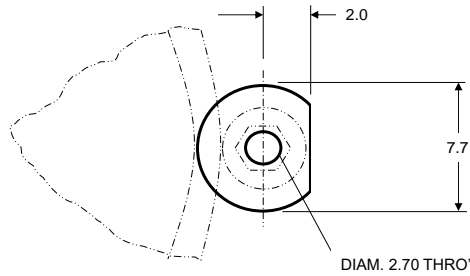
### Notes

- Cable is 10-way, 24 AWG stranded (7x32) conductors, semi-rigid PVC external insulation & jacket, 5x twisted pairs, overall foil shield (100% cover), 24AWG stranded drain tinned copper drain wire.
- All other specification points as per Belden 9505
- Socket Connector: Harwin DataMate J-Tek 10-way with 2 jack screws, part number M80-461-10-42
- Temperature Rating = -30 to +80Celsius. UL Temperature Rating 80Celsius (UL AWM Style 2464)
- Diameter = 7.3mm
- Cable length = 2000 +/- 100mm as standard
- Min. flexing rad. = 76mm with a 1-off bend radius (e.g. on installation) of 20mm
- For integral axial cable (Product Option AFLx & VFLx) connection table see Section 4.5.

Pair No.	Colour	Connector Pin (For Info. Only)	Signal (A/B pulses & Z Ref.)
1	Black	7	A complement
1	Green	5	A
2	Black	6	B complement
2	Blue	8	B
3	Black	9	0V
3	Red	10	V <sub>supply</sub>
4	Black	1	Z Ref Set
4	Yellow	2	Z Ref. Reset
5	Black	3	Z
5	White	4	Z complement

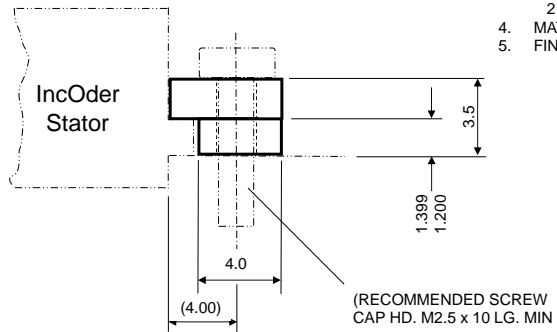
## 9.3 Servo Clamp – Part Number INC-CLAMP1

For use with Packaged Servo Clamp IncOders. Servo Clamps are sometimes referred to as ‘Clamp Cleats’ or ‘Screw Clamps’. Zettlex recommends at least 3 Clamps on unit in M2.5 locations equispaced on a P.C.D. of IncOder dimension (A + 8.00). Supplied in a pack of 3.



### NOTES

1. 3<sup>RD</sup> ANGLE PROJECTION
2. ALL DIMS IN mm
3. GEN. TOL. :-  
1 D.P. =  $\pm 0.2$ mm  
2 D.P. =  $\pm 0.1$ mm
4. MATL. = AL.ALLOY
5. FINISH = SURTEC650



### 10.1. How do IncOders work?

IncOders work using an inductive technique similar to that used by electrical transformers. The Stator receives DC power and produces a low power AC electromagnetic field between the Stator & Rotor. This field is modified as the Shaft rotates. The Stator senses the resulting field and outputs the rotation angle as a digital signal.



### 10.2. Is IncOder measurement truly absolute for absolute output devices?

Yes. Measurement will be the same before and after power interruption. No motion is needed at start up.

### 10.3. Can IncOders be used outside the stated operating temperature limits?

Operating temperature limits are set by some of IncOder's electronic parts rather than the basic technique. Standard IncOders are rated -40 or 85°C operation and with a cold option (Product Options 12VCT & 24VCT) for -60°C operation. IncOders can be used outside these limits following qualification by the user. At temperatures >85°C the duration of any elevated temperature should be minimized or a High Temp. Option specified. At temperatures at or below the stated lower limit, it is recommended to leave the unit powered or allow an extended powered period (>1 minute) before operation.

### 10.4. What happens if the IncOder gets wet or dirty?

Measurement performance is unaffected by humidity, condensation, dirt, dust, oil, mud or sand. All IncOders will survive temporary immersion to depths of 1m in salt or fresh water. Where frequent exposure to liquids, or immersion, is part of the operating environment, units with connections type AFL or VFL should be used and Extended Range Option C should be used.

### 10.5. How can an IncOder be calibrated?

Calibration is only relevant for some ultra high accuracy applications such as astronomical telescopes. Readings from an IncOder are stored and compared to a reference in a look-up table in the host system. Such an arrangement will negate any inaccuracy due to inherent non-linearity or installation tolerances. Resolution & repeatability are unaffected by calibration.

### 10.6. At what Baud rate can the data interface operate at and does this effect cable length?

The longer the transmission distance (Cable Length), the slower the recommended Baud Rate. This table shows recommended Baud Rates vs. Cable Length.

Baud Rates For Data Transmission				
Cable Length (m)	<30	<60	<120	<250
Baud Rate	<400 kHz	<300 kHz	<200kHz	<100 kHz

### 10.7. Are IncOders affected by magnets?

No. Magnets produce DC fields. IncOders use AC electro-magnetic fields at a highly specific frequency.

### 10.8. Are IncOders suitable for use in harsh electromagnetic fields?

Yes. Many IncOders are used near powerful sources of electromagnetic noise such as motors or transformers. IncOder's aluminium housing produces a Faraday cage effect and the technology is designed so that incoming, far-field radiation is self cancelling or filtered out.



### 10.9. Do IncOders produce electromagnetic emissions?

Radiated emissions are tiny and limited to the IncOder's internal sensor faces. The IncOder housing has a large Faraday cage effect. IncOders are often used in proximity to sensitive devices such as navigation aids.

### 10.10. Does the Shaft need electrical earthing?

No. Some capacitive devices require the rotating shaft to be electrically connected to earth so as to avoid electrostatic interference. There is no such requirement with IncOder.

### 10.11. Do IncOders carry out self checks or Built-In-Test (BIT)?

Yes. If BIT shows an internal error then an error signal is generated. The BITs include continuity/damage, presence of Rotor, in-range Rotor, gross electromagnetic malfunction, window watchdog timer, power on reset, power brownout reset, timeouts for clock input, read/write and internal flash data memory value checks.

### 10.12. Do IncOders outgas?

IncOder housings are Surtec finished aluminium which produce no outgassing. The epoxies and other materials used inside the devices comply with NASA's classification of low outgassing materials for spacecraft with TML of <1% and CVM of <0,1% measured at 125°C over 24 hours in vacuum according to ASTM E-595-90. IncOders are successfully used with sensitive optical devices without residues from the IncOder affecting the lenses.

### 10.13. How can we specify a custom IncOder variant?

Use this document as a basis and specify any differences. Preferably, a standard outer diameter 58mm dimension – see Section 5.0.

### 10.14. Do IncOders require an Export License?

Not usually. IncOders are exempt from Annex I to Council Regulation (EC) No. 428/2009, as amended [EU Dual-Use List] and only require an export license if the diameter is greater than or equal to 1000mm or accuracy is <1arc-second. No standard products are in this class.

### 10.15. How does Zettlex manage the obsolescence of electronic components?

Zettlex has detailed obsolescence policies and procedures as part of our Quality Management System. Generally, our policy is only to use electronic components which are widely used; available from a variety of sources and have low likelihood of obsolescence. In the event of an electronic component becoming obsolete we typically select, specify and, if necessary, qualify a suitable form, fit & functional alternative.

### 10.16. Can IncOders be used submerged in oil or water?

Yes. All units can be used in mineral oil. Use integral axial cable connections for submersion in water together with Extended Range Product Option C. If submersion is at depth then also specify Extended Range Product Option C. If necessary, contact Zettlex for further information.

**10.17. Does the accuracy of IncOders improve if the range is reduced?**

Yes. Repeatability is unaffected but accuracy – in other words, linearity - improves as the range reduces. This can be advantageous in some applications where the range of motion is restricted, such as elevation controls in pointing devices which are often <math> < 90^\circ </math>. The following table shows the effect on quoted accuracy as scale reduces for all devices with a digital output:-

IncOder Size (mm)	Static accuracy. Ranges up to 360° arc-seconds	Static accuracy. Ranges up to 90° arc-seconds	Static accuracy. Ranges up to 60° arc-seconds	Static accuracy. Ranges up to 30° arc-seconds
58	150	132	93	77

The rate of improvement of static accuracy vs. range is not a simple linear function. This means that if your application’s range is say 120° the quoted accuracy should be taken from the column ‘up to 360°’. Similarly if your range is 45° the quoted accuracy should be taken from the column ‘up to 60°’. For clarity, the above applies to all IncOders not just customised products with reduced scale.

**10.18. Can we accurately calculate speed using an IncOder?**

Yes. There are various approaches and the optimal approach depends on the nature of your application and how accurately speed is to be measured. The first option is to use an IncOder with A/B pulses. The second option is to use a device with an absolute angle output such as SPI or SSI, and where SPI1 or SSI4 product options are particularly advantageous. The approach for this second option is detailed in a separate document - please refer to Zettlex IncOder App Note – Calculating Speed. You can find this in the IncOder section of our web-site ([www.zettlex.com](http://www.zettlex.com)) or ask your local Zettlex representative for a copy.

**10.19. Does current consumption depend on supply voltage?**

No - because we use linear voltage regulators in the IncOder stator.

<b>Australia</b>	Zettlex Ltd., UK, <a href="http://www.zettlex.com">www.zettlex.com</a> +44 (0) 1223 874444
<b>Austria</b>	Zettlex Hamburg Office, <a href="http://www.zettlex.com">www.zettlex.com</a> +49 (0) 40 82217 8935
<b>Belarus</b>	Aviton, Russia <a href="http://www.aviton.spb.ru">www.aviton.spb.ru</a> +7 812 702 1001
<b>Belgium</b>	Zettlex Ltd., UK, <a href="http://www.zettlex.com">www.zettlex.com</a> +44 (0) 1223 874444
<b>Brazil</b>	Zettlex East Coast Office, Boston, USA, <a href="http://www.zettlex.com">www.zettlex.com</a> +1 (0) 857 203 8519
<b>Canada</b>	Zettlex Chicago Office, Chicago, <a href="http://www.zettlex.com">www.zettlex.com</a> +1 (0) 857 203 8519
<b>China (NE &amp; E)</b>	Shanghai Mingcheng Control Technology Ltd. <a href="http://www.shmcct.com">www.shmcct.com</a>
<b>China (SW)</b>	Chongqing Fuleji <a href="http://www.fuleji.net">www.fuleji.net</a> +86 (0) 23 8890 6991
<b>Czech Republic</b>	Z.M.Systems, Slovakia, <a href="http://www.zettlex.com">www.zettlex.com</a> +44 1223 852452
<b>Denmark</b>	Zettlex Hamburg Office, <a href="http://www.zettlex.com">www.zettlex.com</a> +49 (0) 40 82217 8935
<b>Finland</b>	Zettlex Ltd., UK, <a href="http://www.zettlex.com">www.zettlex.com</a> +44 (0) 1223 874444
<b>France</b>	Zettlex Ltd., UK, <a href="http://www.zettlex.com">www.zettlex.com</a> +44 (0) 1223 874444
<b>Germany</b>	Zettlex Hamburg Office, <a href="http://www.zettlex.com">www.zettlex.com</a> +49 (0) 40 82217 8935
<b>Romania</b>	Z.M.Systems, Slovakia, <a href="http://www.zettlex.com">www.zettlex.com</a> +44 1223 852452
<b>India</b>	Zettlex Ltd., UK, <a href="http://www.zettlex.com">www.zettlex.com</a> +44 (0) 1223 874444
<b>Indonesia</b>	OptoCom, Malaysia, <a href="http://www.optocom.com.my">www.optocom.com.my</a> +603 (0) 8706 6806
<b>Israel</b>	Zettlex Ltd., UK, <a href="http://www.zettlex.com">www.zettlex.com</a> +44 (0) 1223 874444
<b>Italy</b>	Servotecnica SpA, <a href="http://www.servotecnica.com">www.servotecnica.com</a> , +39 (0) 362 4921
<b>Japan</b>	Midori Precision Ltd., Japan <a href="http://www.midori.co.jp">www.midori.co.jp</a> +81 42 554 5650
<b>Luxembourg</b>	Zettlex Hamburg Office, <a href="http://www.zettlex.com">www.zettlex.com</a> +49 (0) 40 82217 8935
<b>Malaysia</b>	OptoCom, Malaysia, <a href="http://www.optocom.com.my">www.optocom.com.my</a> +603 (0) 8706 6806
<b>Mexico</b>	Zettlex West Coast Office, San Mateo, <a href="http://www.zettlex.com">www.zettlex.com</a> +1 (0) 650 378 1257
<b>Netherlands</b>	Zettlex Ltd., UK, <a href="http://www.zettlex.com">www.zettlex.com</a> +44 (0) 1223 874444
<b>New Zealand</b>	Zettlex Ltd., UK, <a href="http://www.zettlex.com">www.zettlex.com</a> +44 (0) 1223 874444
<b>Norway</b>	Zettlex Ltd., UK, <a href="http://www.zettlex.com">www.zettlex.com</a> +44 (0) 1223 874444
<b>Poland</b>	Zettlex Ltd., UK, <a href="http://www.zettlex.com">www.zettlex.com</a> +44 (0) 1223 874444
<b>Portugal</b>	Milexia SAU, Spain, <a href="http://www.milexia.es">www.milexia.es</a> , +34 (0) 917 216 630
<b>Romania</b>	Z.M.Systems, Slovakia, <a href="http://www.zettlex.com">www.zettlex.com</a> +44 1223 852452
<b>Russia</b>	Aviton, Russia <a href="http://www.aviton.spb.ru">www.aviton.spb.ru</a> +7 812 702 1001
<b>Singapore</b>	OptoCom, Malaysia, <a href="http://www.optocom.com.my">www.optocom.com.my</a> +603 (0) 8706 6806
<b>Slovakia</b>	Z.M.Systems, Slovakia, <a href="http://www.zettlex.com">www.zettlex.com</a> +44 (0) 1223 852452
<b>South Africa</b>	Zettlex Ltd., UK, <a href="http://www.zettlex.com">www.zettlex.com</a> +44 (0) 1223 874444
<b>South Korea</b>	SamJeong Automation <a href="http://www.sjautomation.com">www.sjautomation.com</a> +82 (0) 31 469 3090
<b>Spain</b>	Milexia Ibérica, S.A.U, Spain, <a href="http://www.milexia.es">www.milexia.es</a> , +34 (0) 917 216 630
<b>Sweden</b>	Zettlex Ltd., UK, <a href="http://www.zettlex.com">www.zettlex.com</a> +44 (0) 1223 874444
<b>Switzerland</b>	Zettlex Hamburg Office, <a href="http://www.zettlex.com">www.zettlex.com</a> +49 (0) 40 82217 8935
<b>Thailand</b>	OptoCom, Malaysia, <a href="http://www.optocom.com.my">www.optocom.com.my</a> +603 (0) 8706 6806
<b>USA (East)</b>	Zettlex East Coast Office, Boston, USA, <a href="http://www.zettlex.com">www.zettlex.com</a> +1 (0) 857 203 8519
<b>USA (Mid)</b>	Zettlex Chicago Office, Chicago, <a href="http://www.zettlex.com">www.zettlex.com</a> +1 (0) 847 563 2314
<b>USA (West)</b>	Zettlex West Coast Office, San Mateo, <a href="http://www.zettlex.com">www.zettlex.com</a> +1 (0) 650 378 1257

All products available via your local reseller or from the Zettlex web-site at  
<http://www.zettlex.com>



Zettlex UK Ltd.  
 Faraday House  
 Barrington Road, Foxton  
 Cambridge  
 CB22 6SL  
 United Kingdom  
 Tel [+44] 01223 874444  
 Fax [+44] 01223 874111  
 Email [info@zettlex.com](mailto:info@zettlex.com)  
[www.zettlex.com](http://www.zettlex.com)

Message from Mark Howard, Zettlex General Manager:

*Ours is a simple business ethic: hard work, honesty & great customer service. I hope you will find our products useful.*



Precision in the Extreme

**Revision History - 4.11.3 to 4.11.4**

- New document

While Zettlex provides application assistance personally, through our literature, web-site and partners, it is the customer's responsibility to determine the suitability of the product in the application.

Specifications may change without notice. Quoted data is derived from test, analysis or design similarity. The information provided by Zettlex in this Product Guide is believed to be accurate and reliable as of this printing, however, Zettlex assumes no responsibility for its use.

**WARRANTY/REMEDY**

Zettlex warrants goods of its manufacture as being free of defective materials and faulty workmanship for 1 year from date of purchase. Zettlex standard product warranty applies unless agreed otherwise by Zettlex in writing. Please refer to Zettlex or local representative for warranty details. If warranted goods are returned to Zettlex during the warranty period then Zettlex will repair or replace, at its option, without charge those items that it finds defective. The foregoing is the buyer's sole remedy and is in lieu of all other warranties, expressed or implied, including those of merchantability and fitness for a particular purpose. In no event shall Zettlex be liable for consequential, special or indirect damages.



**WARNING. PERSONAL INJURY.**

Do not use these products as safety or emergency stop devices or in any application where failure of the product could result in personal injury. Failure to comply to these instructions could result in death or serious injury.



**WARNING. PERSONAL INJURY.**

Do not use these products in any application where there is the potential for combustion or explosion with flammable gases, dust or liquids. Failure to comply to these instructions could result in death or serious injury.