



MIDORI PRECISIONS CO.,LTD.

3-2-8, Shinmeidai, Hamura-shi, Tokyo 205-0023, JAPAN

July 20, 2018

CP-3HK-100 DISCONTINUANCE

We would like to inform you that we will stop production of CP-3HK-100 because some materials (mainly Hall-IC element) will be discontinued.

CP-3HK-100 is wide angle type (360 deg.) so that we will newly release model CP-2HK-500 which will be also wide angle type.

Model number affected

CP-3HK-100

Time Schedule

Last Order Date: January 31, 2019

Last production Date : March 31, 2019

Replaceable Model

CP-2HK-500

(Comparison table is attached.)

We hope you can understand our situation as abovementioned, and please do not hesitate to contact us about everything of above matter.

Thank you for your understanding and cooperation.

A handwritten signature in black ink, appearing to read "Maki Inoue". The signature is fluid and cursive, with a long horizontal stroke extending to the right.

Maki Inoue

MIDORI PRECISIONS CO., LTD.



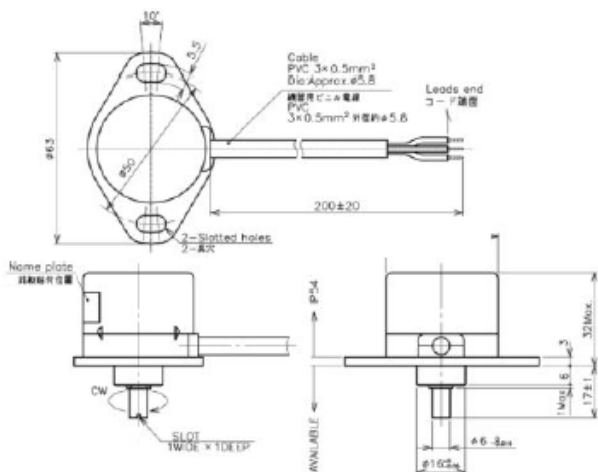
MIDORI PRECISIONS CO., LTD.

3-2-8, Shinmeidai, Hamura-shi, Tokyo 205-0023, JAPAN

Comparison table

Model number	CP-3HK-100	CP-2HK-500
Effective Elect. Travel	360 deg.	360 deg.
Absolute Linearity	±0.4%FS	±1%FS
Temp. Characteristics	±1.08%FS (-40~+100 deg.C)	±1.2%FS (-40~+100 deg.C)
Input Voltage	DC5V±0.5V	DC5V±0.5V
Current Consumption	30mA Max.	16mA Max.
Resolution	0.1 deg.	0.11 deg.
Response time	0.3ms	0.6ms
Load Resistance	1Mohm Min.	10kohm Min.
Mech. Travel	360 deg. endless	360 deg. endless
Torque	2mN-m	2mN-m
Mass	Approx. 80g	Approx. 65g
Category Temp. Range	-40~+100 deg.C	-40~+100 deg.C
Storage Temp. Range	-40~+100 deg.C	-40~+100 deg.C
IP Level	IP54	IP54
Vibration	100m/s ² 5~500Hz (6 min.) 3 axis 2 hours	100m/s ² 5~500Hz (6 min.) 3 axis 2 hours
Shock	1000m/s ² 11ms 3 directions 3 times	1000m/s ² 6ms 3 directions 3 times
ESD	±8 kV	±12 kV
EMS	100V/m, 200M~1GHz	100V/m, 200M~1GHz

CP-3HK-100



CP-2HK-500

