

Multi-turn Dial

D-14 Series

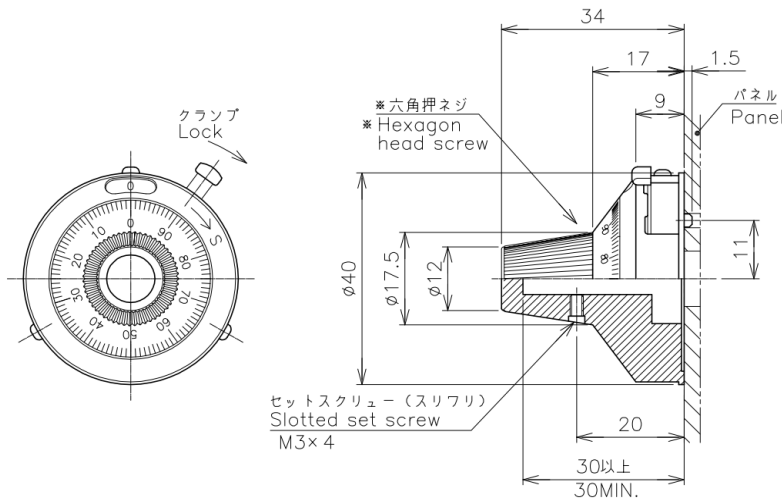


- Multi-turn Dial (analog)
- Use with HP-16 10-turn wire wound potentiometer

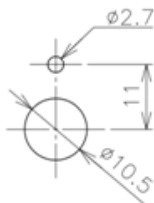
【Material】

● Housing : Zinc, Aluminum, Copper Alloy, POM

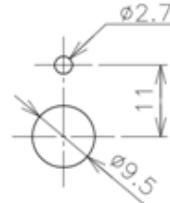
Dimension [mm]



Mounting



・Recommend Installation panel thickness
3.55 ~ 4.2mm



・Recommend Installation panel thickness
1.95 ~ 2.6mm

If Panel thickness is 2.6<3.55mm, please use spacers which are inner diameter 10.5mm to become 3.55~4.2mm thickness.

【Specifications】

Number Of Turns	20	Turns
Minor Scale Division	1/1000	
Mass	Approx. 60	g
Applicable Potentiometer	HP-16 (10-turn wire wound potentiometer)	
Applicable Panel Thickness	1.95 ~ 4.2	mm

Handling Instruction

・Please turn the knob by hand.